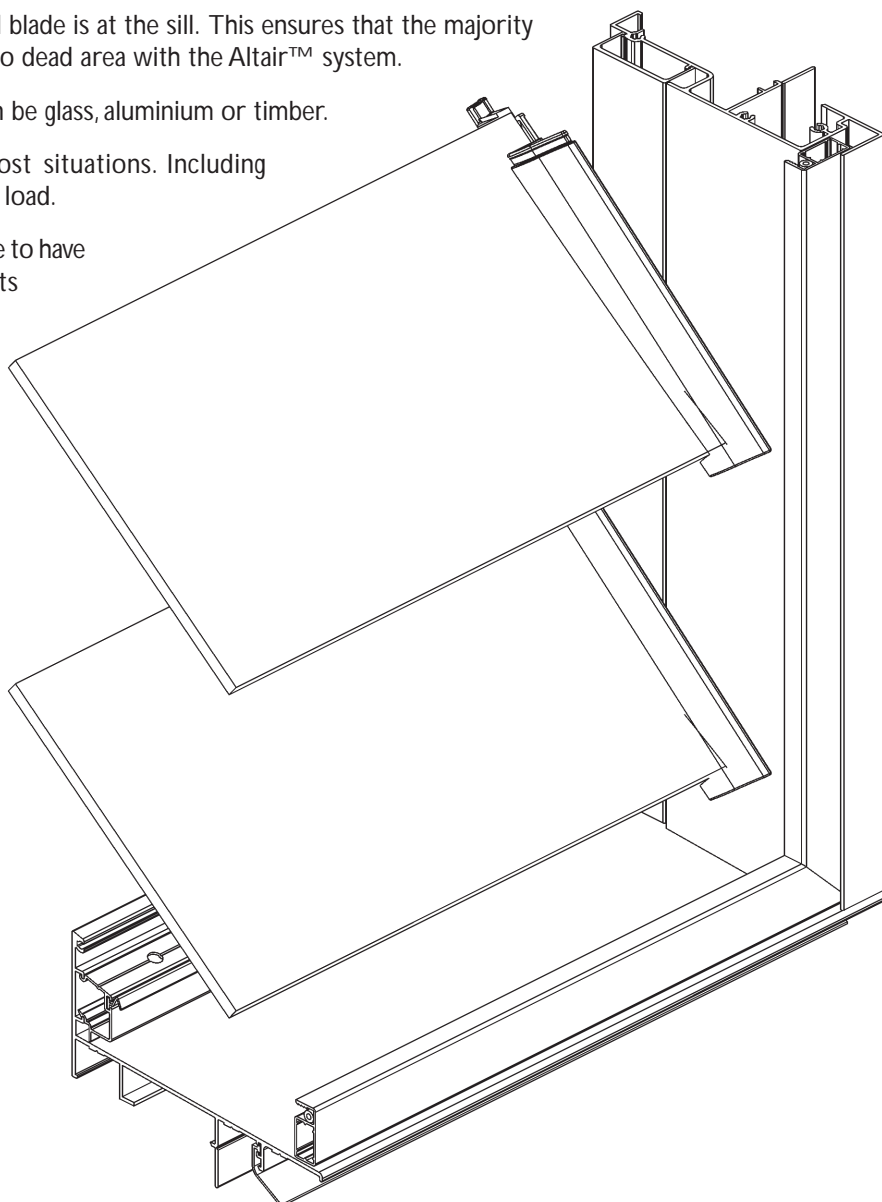




### Design Features

- Adjustable louvre window system designed to complement the Vantage 102mm windows and doors. The jambs, head and sill will clip to all 102mm Vantage products.
- The Vantage LouvreMASTER™ window has been designed to accept the Altair™ adjustable glass louvre system from Breezway Australia. Louvre gallery channels snap to jambs and mullions.
- 131mm Overall frame is wide enough to allow the flyscreen to be fitted within the frame line as shown below, without the need for screws, rivets or unsightly turnbuckles - clean flat finish.
- The LouvreMASTER™ system has been successfully tested to 450Pa water resistance, refer Weather Performance Options page.
- The LouvreMASTER™ weather trims snap to head and sill and are cut between galleries - no end notching on trim or gallery channels.
- Full height blades always give the best appearance and are the most economical, refer following tables for standard heights in the 152mm and 102mm blade systems.
- On non-standard heights the fixed blade is at the sill. This ensures that the majority of blades align through. There is no dead area with the Altair™ system.
- The 102mm and 152mm blade can be glass, aluminium or timber.
- Two mullion strengths cover most situations. Including Darwin up to 3000Pa design wind load.
- Fixed inlay adaptors make it possible to have adjustable louvres and fixed lights within the same frame.
- Head and sill run through. This makes it easy to fit louvres over doors using one of our highlight couplers (42030 or 42027).
- 3° Fall in sill guides water, dust and salt out of the window system.
- This window is available with a built-in security bar, refer following page.



The Vantage LouvreMASTER™ window has been designed and tested with the Altair™ gallery system supplied by Breezway Australia.

**Australian Registered Design**

Page: 42.2  
Date: May 04  
Replaces: Aug 03  
Scale: Not to scale

# Architectural Information

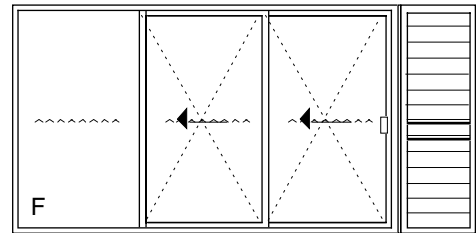
## LouvreMASTER™ Adjustable Louvre Window Security Frame



## Alternative Security Frame Design Features

- Vantage security LouvreMASTER™ frame has been designed to complement the non-security frame shown on previous page:
  - Head and sill extrusions are the same as non-security version.
  - Both frames look the same except for the security bars.

- Security bars can be fitted at:
  - Every blade.
  - Every second blade.
  - Up to a set height.
  - At mid point when louvres frame is snapped to say sliding door.



- The LouvreMASTER™ 19mm bar is more than 130% stronger than industry standard 16mm bars.

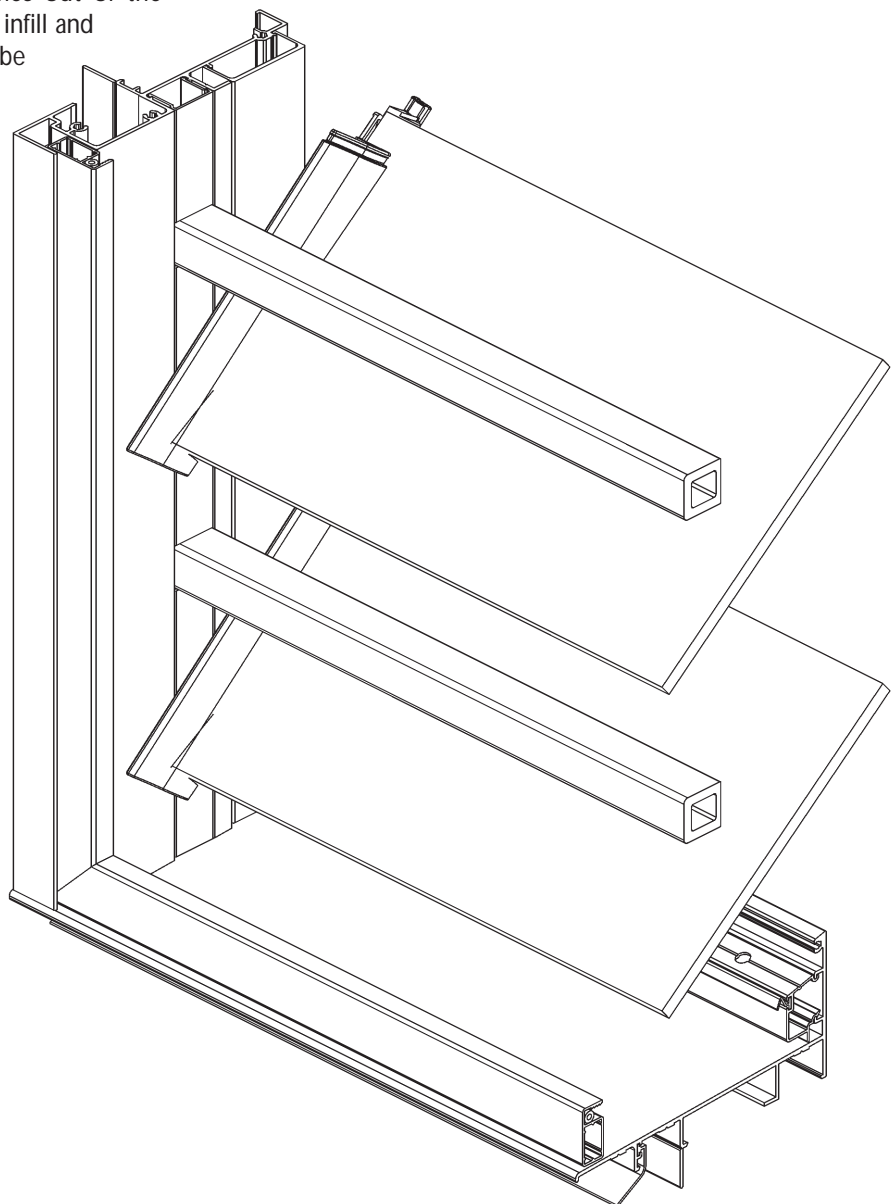
- It's possible to make louvre frames out of the security frame with full height flat infill and no bars. The security bars can be added later if required.

- Screwing the central bars to frame on LouvreMASTER™ windows snapped to sliding door jamb would reduce the chance of damage to blades.

- In an elevated situation security bars may be required while the children are young. Then when they get smarter and bigger the bars could be removed and full height flat filler installed.

- The security bar frame also accept flyscreens into the main frame as shown right.

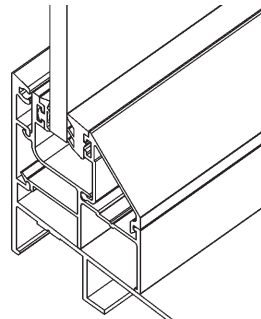
- Alternatively barrier flyscreens can be fitted into the same frame recess.



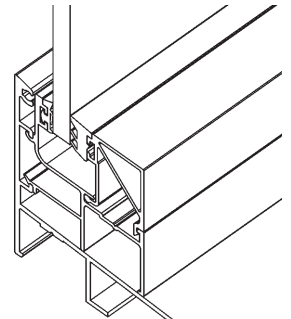


### Optional Fixed Inlay Design Features

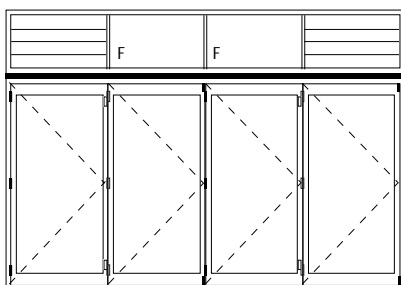
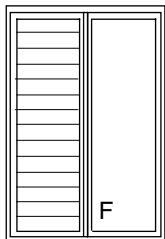
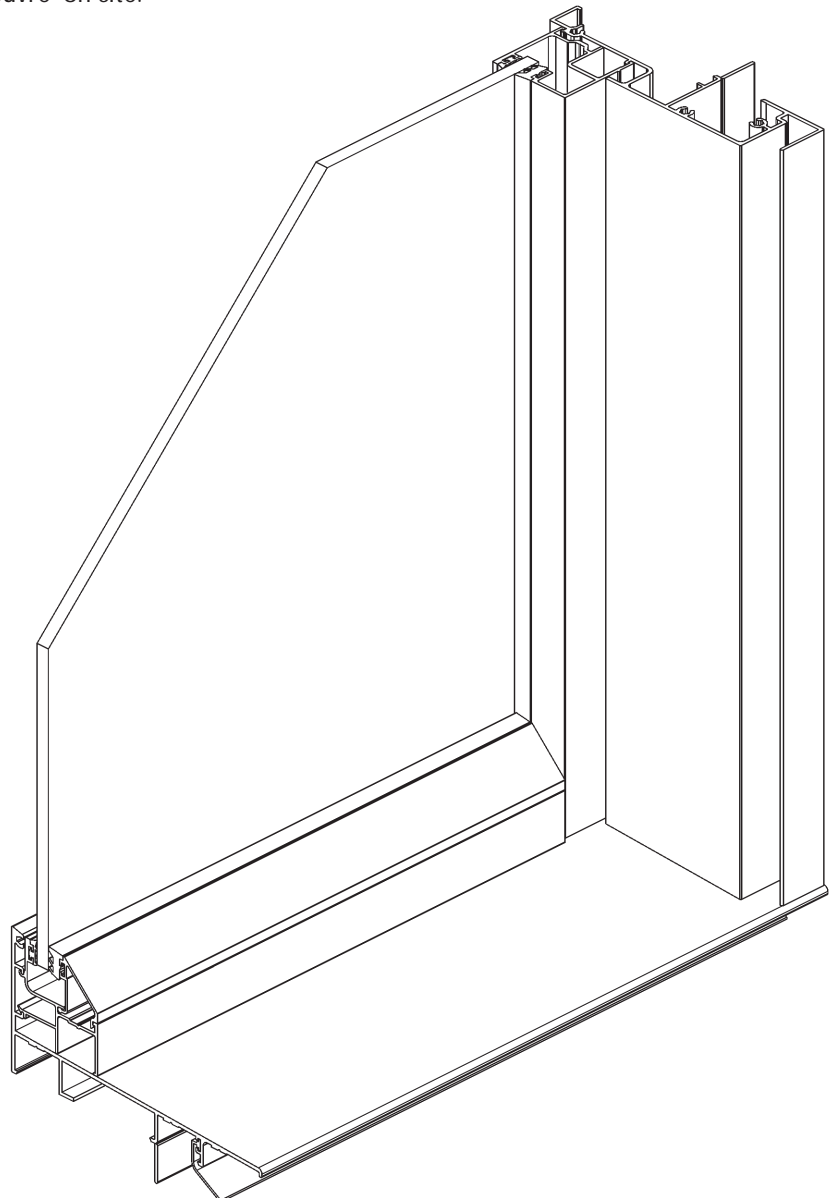
- Custom extrusions allow the fitting of fixed glazing into both LouvreMASTER™ window systems.
- It's possible to make a single window say 'Louvre-Fixed-Fixed-Louvre'. This feature is particularly useful when fitting louvre combination windows over sliding or bi-fold doors (as shown below).
- The external sill bead can be splayed or square as shown top right.
- The fixed glass line is in the same location as the closed glass louvre blades.
- It's possible (but not easy) to change a 'Louvre-Fixed' window to 'Fixed-Louvre' or 'Louvre-Louvre' on site.



Splayed sill bead



Square sill bead

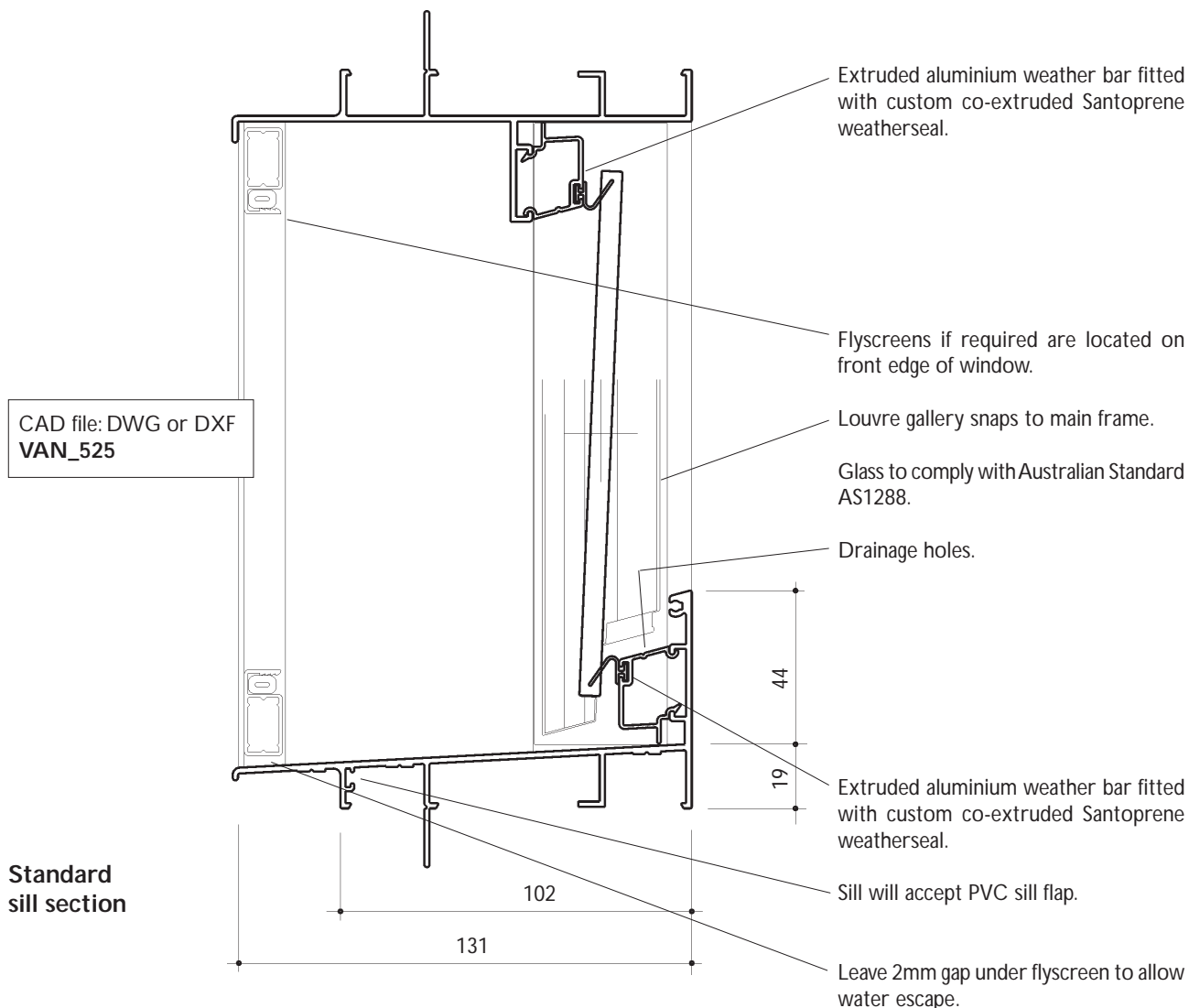


Page: 42.4  
 Date: May 04  
 Replaces: Aug 03  
 Scale: Half full size

# Architectural Information

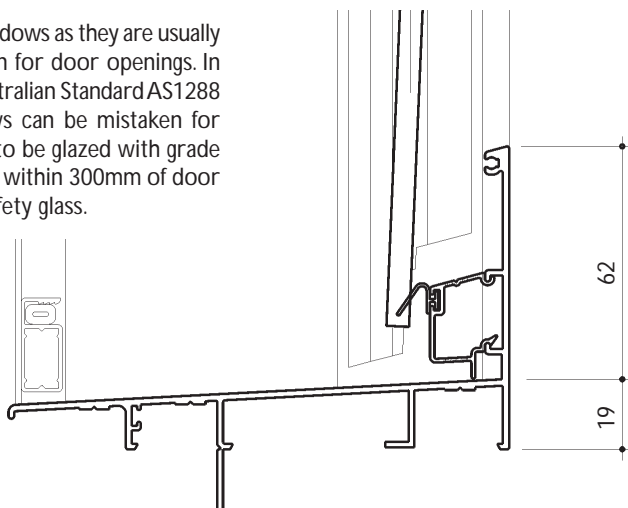
## LouvreMASTER™ Adjustable Louvre Window

### Vertical Cross Section



#### Safety Glazing

Take care with louvre windows as they are usually high and can be mistaken for door openings. In accordance with the Australian Standard AS1288 - If glass louvre windows can be mistaken for door openings they are to be glazed with grade 'A' safety glass. Windows within 300mm of door openings also require safety glass.



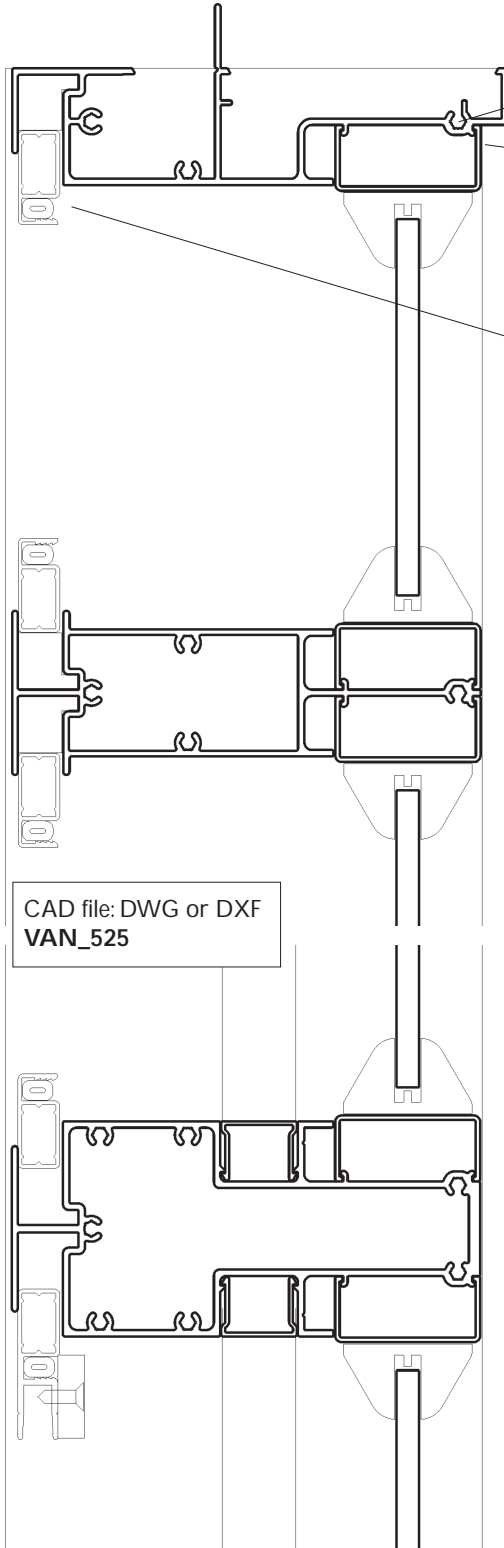
#### Performance sill section

Refer performance tables in these notes for the right sill to keep the water out. If in doubt fit this performance sill - the price difference is minimal.



LouvreMASTER™ Adjustable Louvre Window

Horizontal Cross Section & Mullion Strengths



Stainless steel self tapping frame assembly screws.

Altair™ louvre galleries snap to jambs and mullions. Order galleries without fixing holes.

Flyscreen nests into the frame and is positioned on centre with custom snap-in nylon clips (4.off clips per screen).

Glass to comply with Australian Standard AS1288.

CAD file: DWG or DXF  
VAN\_525

**Mullion Ratings (Pa)**

**S** = Serviceability limit state (deflection = L/150).

**U** = Ultimate strength limit state (factored yield strength = 104 MPa).

These tables have been calculated using nominal section properties. A typical assembly has been tested as per the requirements of AS2047, Ultimate strength rating has been limited to 4500 Pa.

3000 Serviceability ratings were restricted by the maximum water resistance (300Pa) achieved on this product.

Blank Denotes rating under 500 Pa.

On louvre windows the span of glass blades can be the weak link.

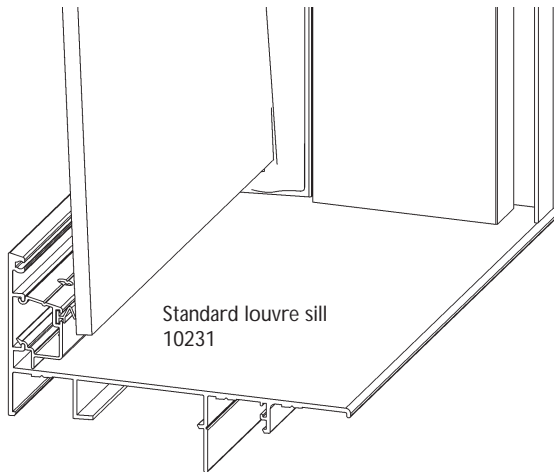
Frame Height mm	Mullion Centres mm	Mullion Ratings (Pa)			
		Standard		Heavy	
		S	U	S	U
1800	605	3000	4500	3000	4500
1800	755	2497	3745	3000	4500
1800	905	2143	3215	3000	4500
2100	605	2204	3306	3000	4500
2100	755	1795	2693	3000	4500
2100	905	1529	2293	3000	4500
2400	605	1670	2505	3000	4500
2400	755	1355	2033	2849	4274
2400	905	1148	1722	2414	3621

Table 42.1 Wind Ratings (Pa) Mullions 10236 and 10263.



## Weather Performance

Vantage louvre frame fitted with Altair™ glass louvres have been successfully tested to 300Pa water resistance. The performance varies depending on the blade type, glass blades treatment, blade activator location and sill type.



### Blade activators on one side only - No Flyscreen:

#### 150Pa Water Resistance

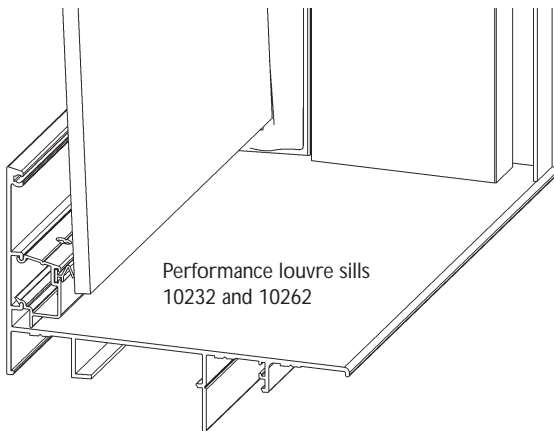
- Square glass blades with standard sill.
- Aluminium blades with standard sill.
- Timber blades with standard sill - 450mm wide blade.

#### 200Pa Water Resistance

- Square glass blades with performance sill.
- Splayed glass blades with standard sill.
- Aluminium blades with performance sill.
- Timber blades with performance sill - 300mm wide blade.

#### 300Pa Water Resistance

- Splayed glass blades with performance sill.



### Blade activators on one side only - With Flyscreen:

#### 300Pa Water Resistance

- Square glass blades with performance sill.
- Splayed glass blades with performance sill.

### Blade activators on both sides - No Flyscreen:

#### 150Pa Water Resistance

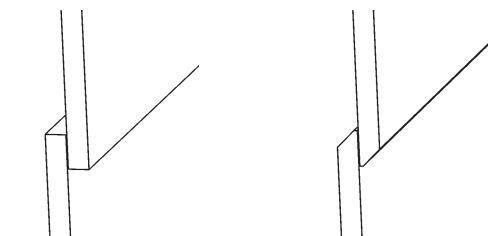
- Timber blades with standard sill - 450mm wide blade.
- Timber blades with performance sill - 900mm wide blade.

#### 200Pa Water Resistance

- Square glass blades with performance sill.
- Aluminium blades with performance sill.
- Timber blades with performance sill - 600mm wide blade.

#### 300Pa Water Resistance

- Splayed glass blades with performance sill.



Standard square glass blades with arised edges.

Special splayed glass blades with 5mm x 45° splay.

### Blade activators on both sides - With Flyscreen:

#### 400Pa Water Resistance

- Splayed glass blades with performance sill.

#### 450Pa Water Resistance

- Square glass blades with performance sill.

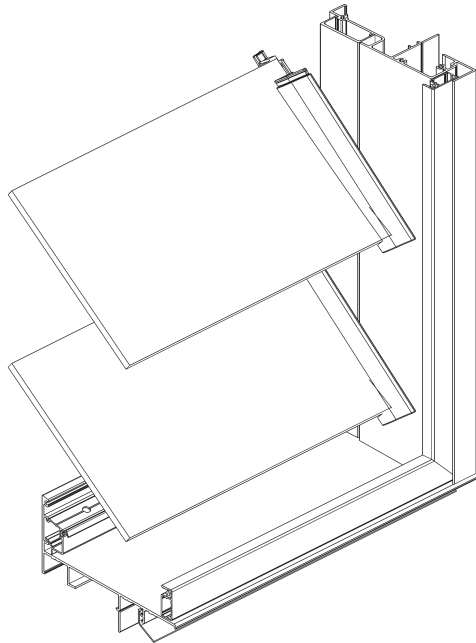
### Blade Activator Note:

Blade activators on both sides are only available with the 152mm blades.



**Standard Louvre Heights**

Louvre windows will always look their best using full blades. This also saves you money.



102mm (4") blades O/A Window Frame Height 'L'	Blades
2 blades not available	
344mm	3 blades
434mm	4 blades
524mm	5 blades
614mm	6 blades
704mm	7 blades
794mm	8 blades
884mm	9 blades
974mm	10 blades
1064mm	11 blades
1154mm	12 blades
1244mm	13 blades
1334mm	14 blades
1424mm	15 blades
1514mm	16 blades
1604mm	17 blades
1694mm	18 blades
1784mm	19 blades
1874mm	20 blades
1964mm	21 blades
2054mm	22 blades
2144mm	23 blades

152mm (6") blades O/A Window Frame Height 'L'	Blades
354mm	2 blade
494mm	3 blade
634mm	4 blade
774mm	5 blade
914mm	6 blade
1054mm	7 blade
1194mm	8 blade
1334mm	9 blade
1474mm	10 blade
1614mm	11 blade
1754mm	12 blade
1894mm	13 blade
2034mm	14 blade
2174mm	15 blade
2314mm	16 blade
2454mm	17 blade

**Maximum Louvre Window Widths**

**based on 6mm Annealed glass**

as per AS1288 - 1994

Design wind load	Blade width	Maximum window width 'W'
500 Pa	1000	1080
600 Pa	1000	1080
700 Pa	1000	1080
800 Pa	967	1047
1000 Pa	865	945
1200 Pa	790	870
1500 Pa	707	787
1800 Pa	645	725
2000 Pa	611	691
2200 Pa	583	663
2600 Pa	536	616
2800 Pa	517	597
3000 Pa	499	579

**based on 6mm Toughened glass**

as per AS1288 - 1994

Design wind load	Blade width	Maximum window width 'W'
500 Pa	1000	1080
600 Pa	1000	1080
700 Pa	1000	1080
800 Pa	1000	1080
1000 Pa	900	980
1200 Pa	900	980
1500 Pa	900	980
1800 Pa	900	980
2000 Pa	895	975
2200 Pa	867	947
2600 Pa	820	900
2800 Pa	800	880
3000 Pa	782	862

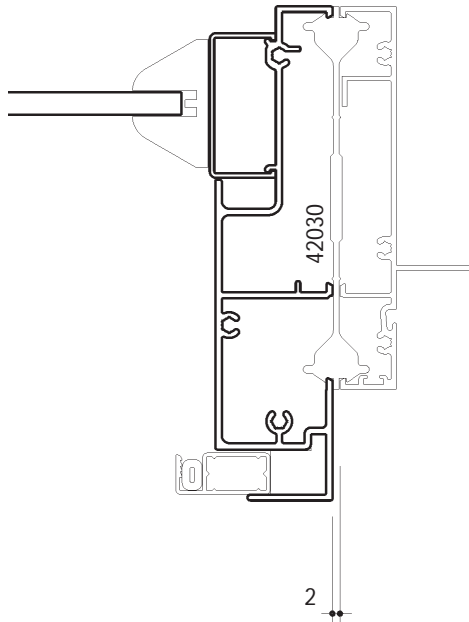
**Laminated glass** is not recommended for external use because of the risk of de-lamination.

Page: **42.8**  
 Date: May 04  
 Replaces: Aug 03  
 Scale: Half full size

# Architectural Information

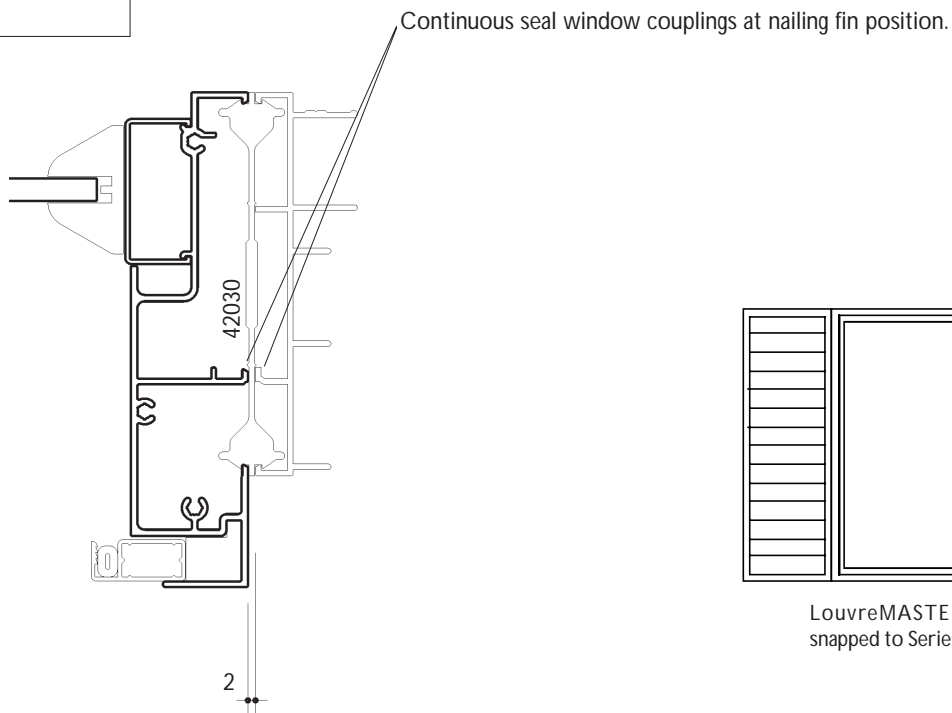
## LouvreMASTER™ Adjustable Louvre Window

### LouvreMASTER™ Coupled to Windows and Sliding Doors



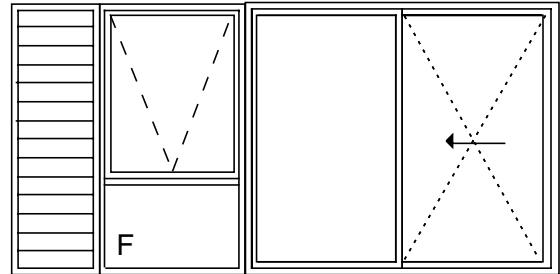
LouvreMASTER™ clipped to Series 517 awning frame

CAD file: DWG or DXF  
**VAN\_525**

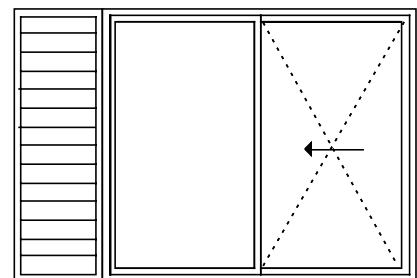


LouvreMASTER™ clipped to Series 541 sliding door frame

Snap together  
 weatherproof  
 mullions



LouvreMASTER™ sidelight snapped to Series 517 awning frame.



LouvreMASTER™ sidelight snapped to Series 541 sliding door.



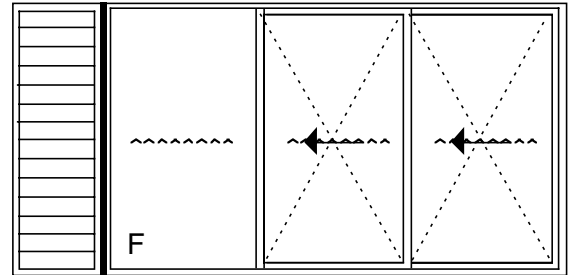
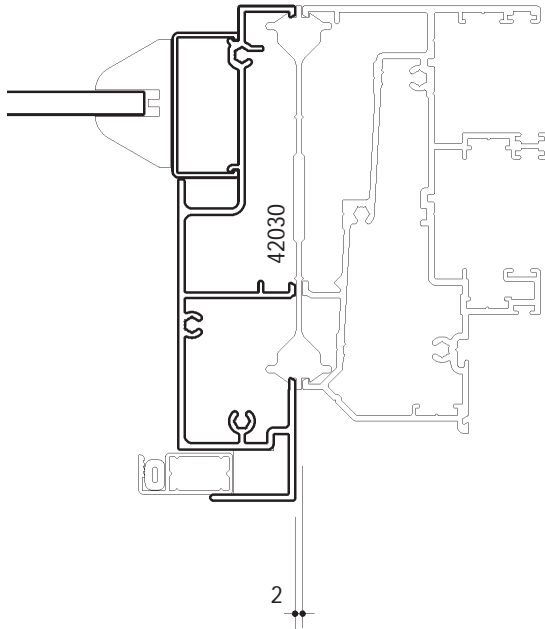
LouvreMASTER™ Adjustable Louvre Window

Date: May 04

LouvreMASTER™ Coupled to Sliding and Hinged Doors

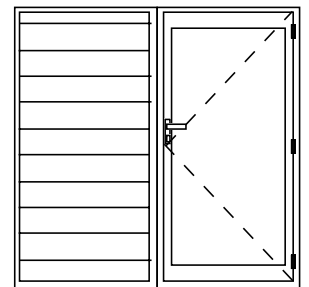
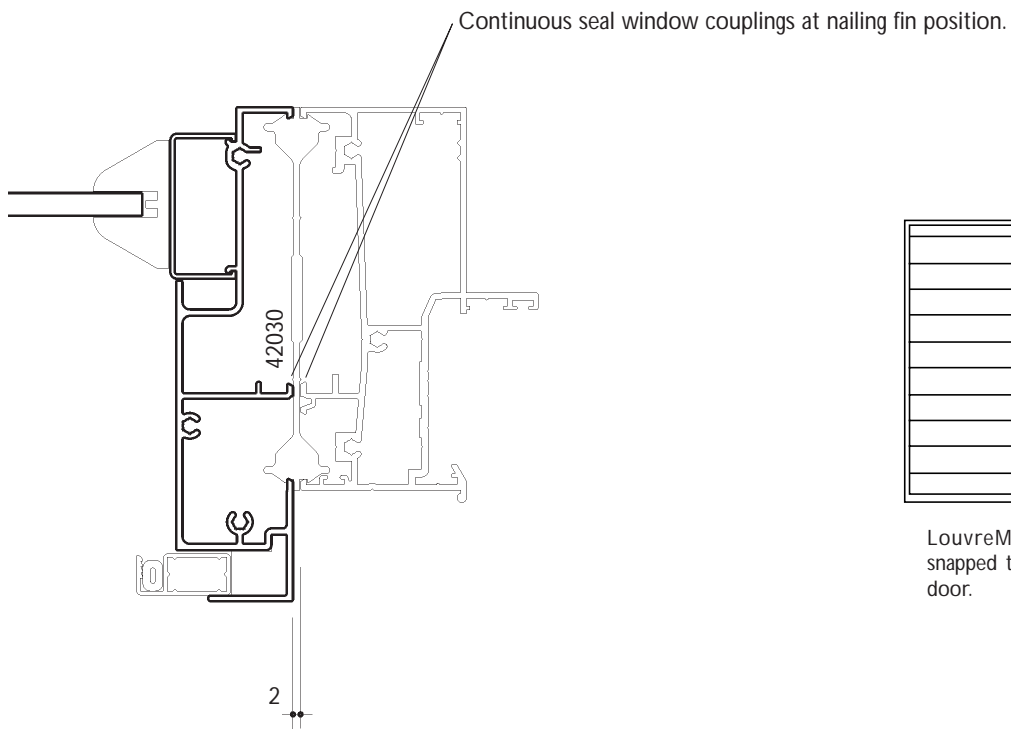
Replaces: Aug 03

Scale: Half full size



LouvreMASTER™ sidelight snapped to Series 543 DUO sliding door.

LouvreMASTER™ clipped to Series 543 Sliding door frame



LouvreMASTER™ sidelight snapped to Series 548 French door.

LouvreMASTER™ clipped to Series 548 French door frame

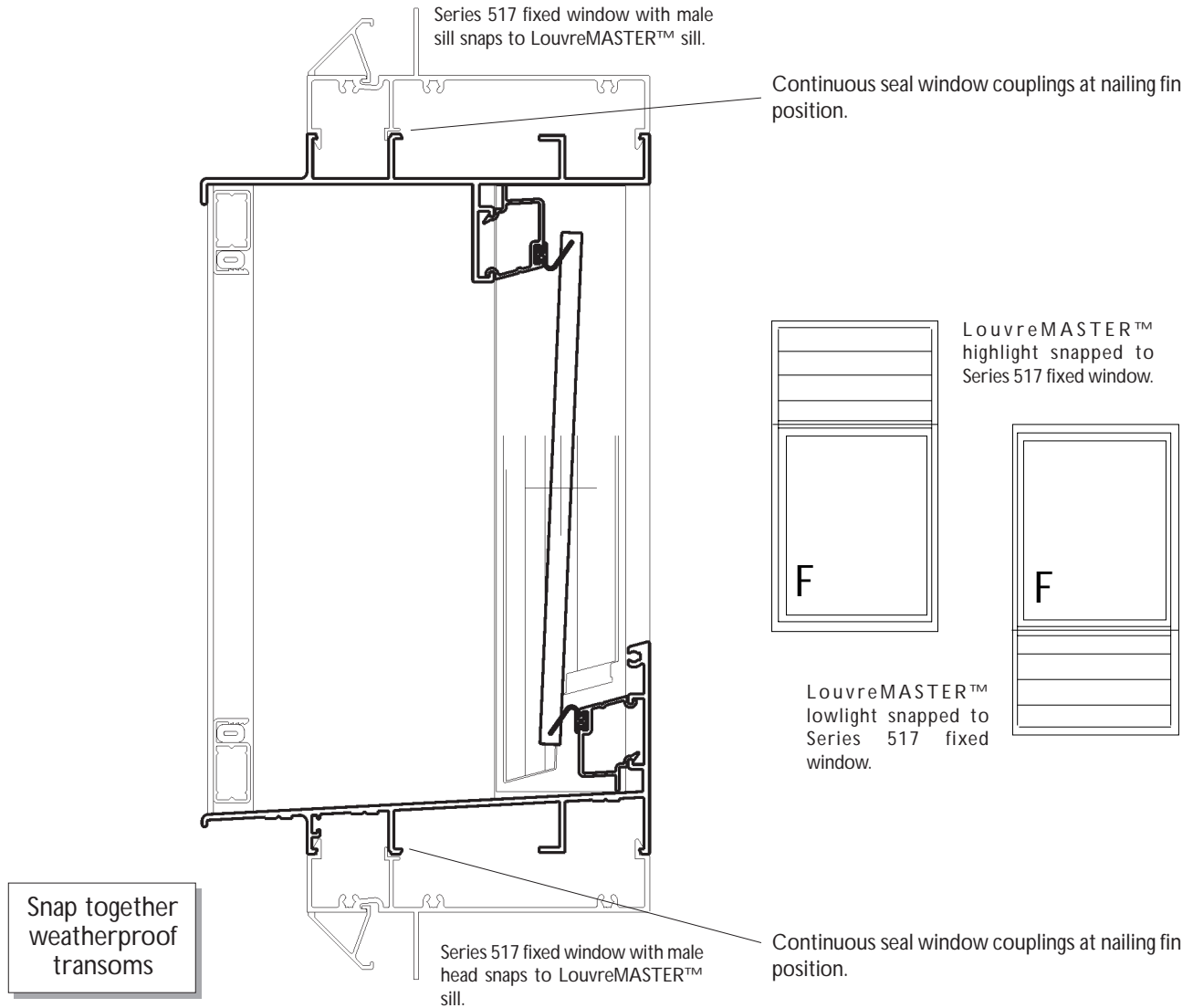
Snap together weatherproof mullions

Page: 42. 10  
Date: May 04  
Replaces: Aug 03  
Scale: Half full size

# Architectural Information

## LouvreMASTER™ Adjustable Louvre Window

LouvreMASTER™ Coupled to Series 517 Awning Frame.





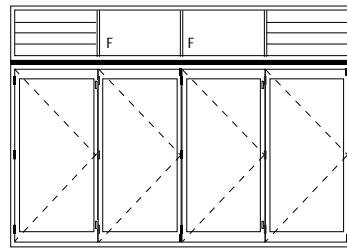
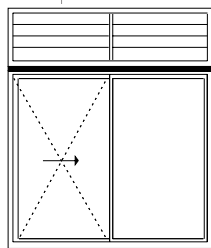
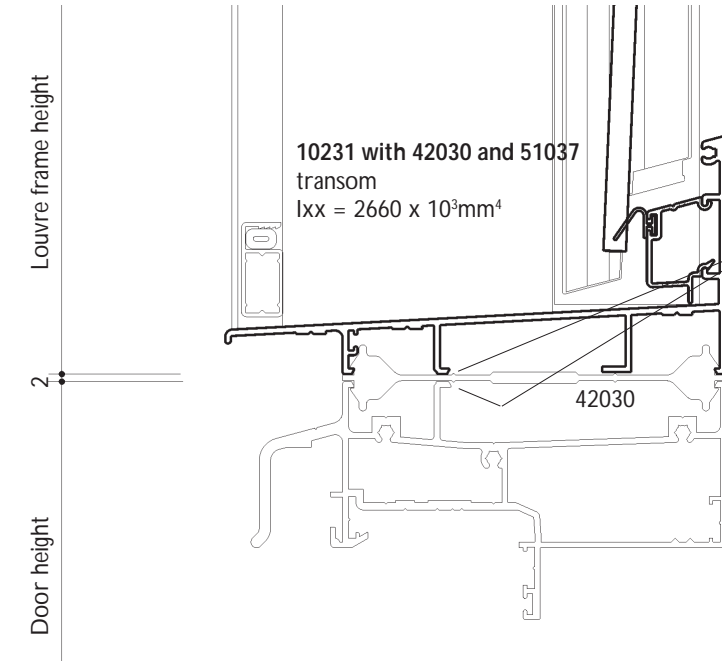
## LouvreMASTER™ Adjustable Louvre Window

Date: May 04

LouvreMASTER™ Coupled to Series 548 Bi-fold Door

Replaces: Aug 03

Scale: Half full size



### Light 'I' Coupler - 42030

Remove the nailing fin on louvre sill (10231 or 10232) and snap to Series 548 bi-fold head (51037) with 'I' coupler (42030).

Using the 'I' coupler the louvre frame could also be clipped to:

- Series 548 French doors or fixed lights.
- Series 543 DUO sliding doors.
- Series 517 Awning, Casement or fixed.
- Series 601 to 613 Magnum™ products.

Apply continuous line closed cell foam tape (94072) to 'I' coupler at nailing fin location.

Typical rating examples over Bi-fold:  
All doors on this table are 2100mm high.

Frame Width mm	Heights		Transom	
	O/A mm	Louvre mm	1/150 S	U
3000	2100	494	2165	3248
3600	2100	494	1436	2154
4000	2100	494	1141	1711
3000	2100	634	2043	3064
3600	2400	634	1357	2036
4000	2400	634	1079	1619

Table 42.2 Wind Ratings (Pa) Transom 42030

### Heavy Box Coupler - 42027

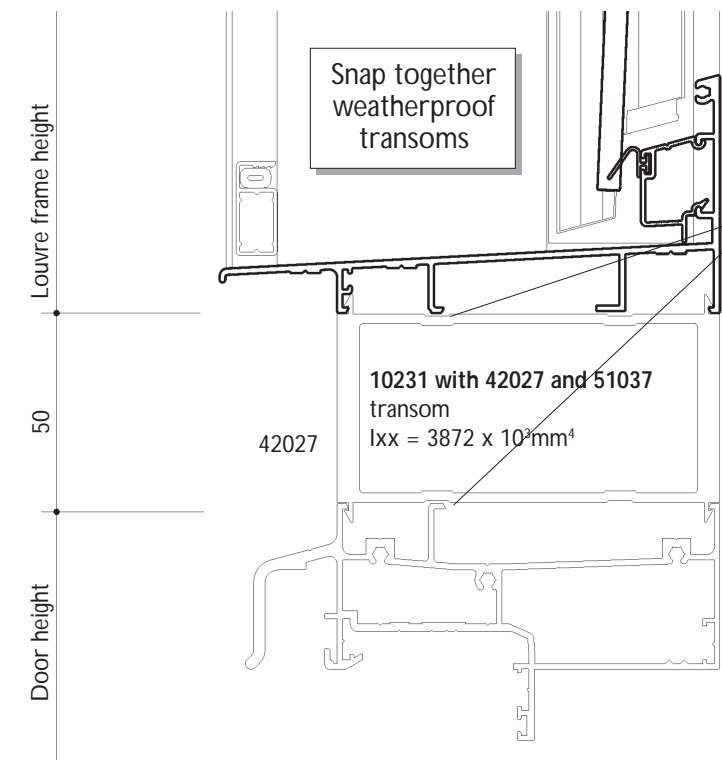
Remove the nailing fin on louvre sill (10231 or 10232) and snap to Series 548 bi-fold head (51037) with box coupler (42027).

Using the box coupler the louvre frame could also be clipped to:

- Series 548 French doors or fixed lights.
- Series 541 Sliding doors.
- Series 543 DUO sliding doors.
- Series 517 Awning, Casement or fixed.
- Series 601 to 613 Magnum™ products.

Apply continuous line closed cell foam tape (94072) to box coupler at nailing fin location.

Typical strength examples over Bi-fold:  
All doors on this table are 2100mm high.



Frame Width mm	Heights		Transom	
	Door mm	Louvre mm	1/150 S	U
4000	2100	494	1683	2525
4500	2100	494	1244	1961
5000	2100	494	895	1570
5400	2100	494	704	1336
4000	2100	634	1592	2388
4500	2100	634	1177	1856
5000	2100	634	847	1487
5400	2100	634	667	1266

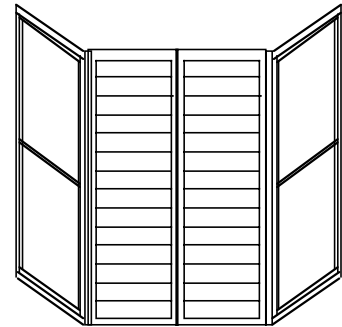
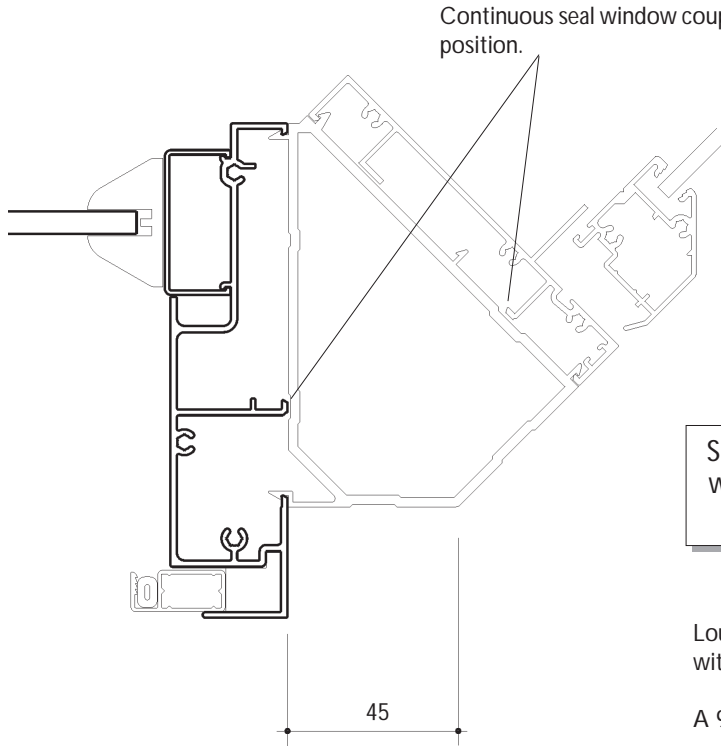
Table 42.3 Wind Ratings (Pa) Transom 42027

Page: 42. 12  
Date: May 04  
Replaces: Aug 03  
Scale: Half full size

# Architectural Information

## LouvreMASTER™ Adjustable Louvre Window

### LouvreMASTER™ Coupled to Window with 135° Coupler



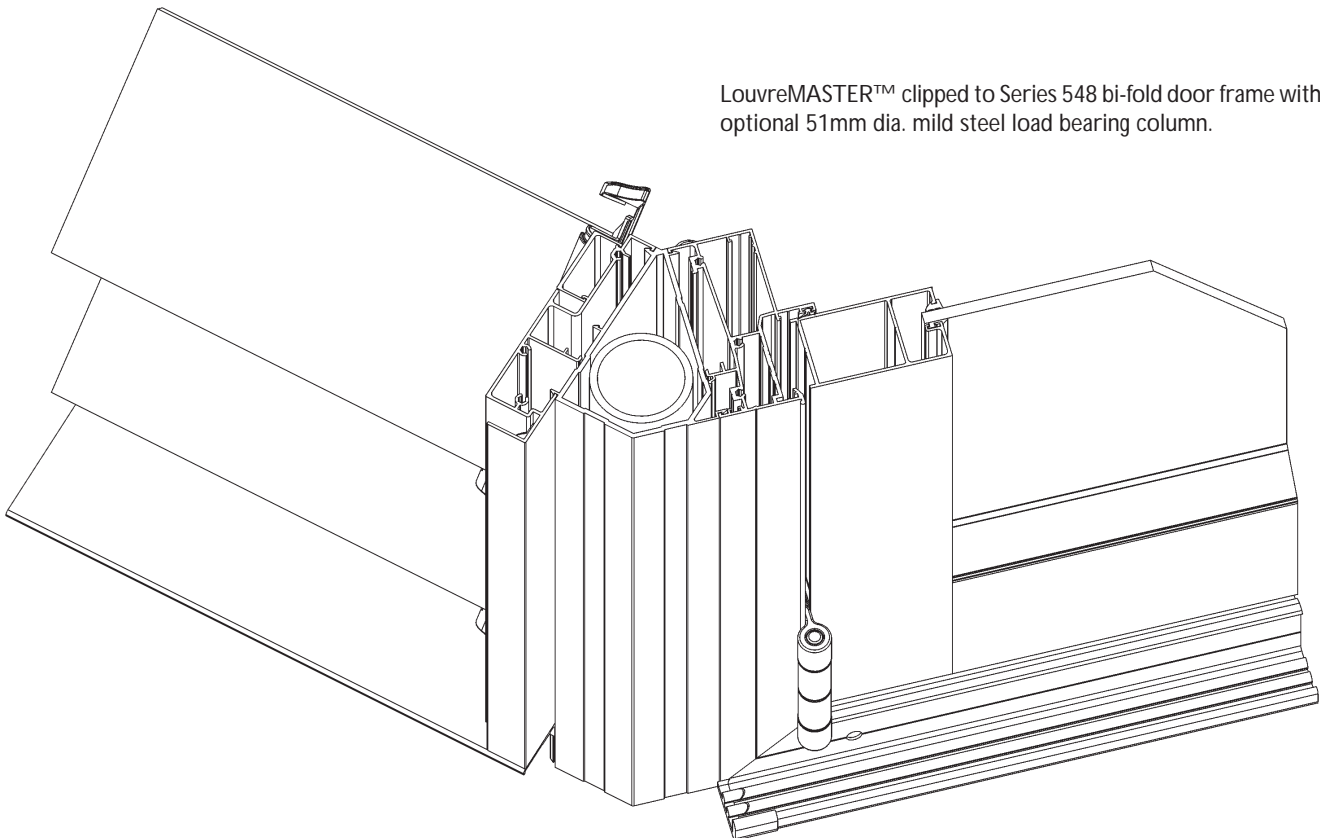
Snap together  
weatherproof  
corner

LouvreMASTER™ clipped to Series 517 awning frame at 135° with extruded aluminium coupler 42026.

A 90° coupler (42022) is also available.

Refer section 10 for 135° bay and 90° corner window/door layouts.

LouvreMASTER™ clipped to Series 548 bi-fold door frame with optional 51mm dia. mild steel load bearing column.





# Architectural Information

## LouvreMASTER™ Adjustable Louvre Window

Index

Page: **42.0**

Date: May 04

Replaces: Aug 03

Scale:

---

Page	Contents
42.1	Introduction.
42.2	Security frame.
42.3	Fixed inlay.
42.4	Vertical cross section.
42.5	Horizontal cross section & Mullion strengths.
42.6	Louvre weather performance.
42.7	Louvre standard heights & maximum widths.
42.8	Louvre coupled to windows and sliding doors.
42.9	Louvre coupled to sliding and hinged doors.
42.10	Louvre coupled to Series 517 awning frame.
42.11	Louvre coupled to Series 548 bi-fold door.
42.12	Louvre coupled to window with 135° coupler.

Series 525 Louvre window internal view  
(Not to scale)

