



Architectural Information

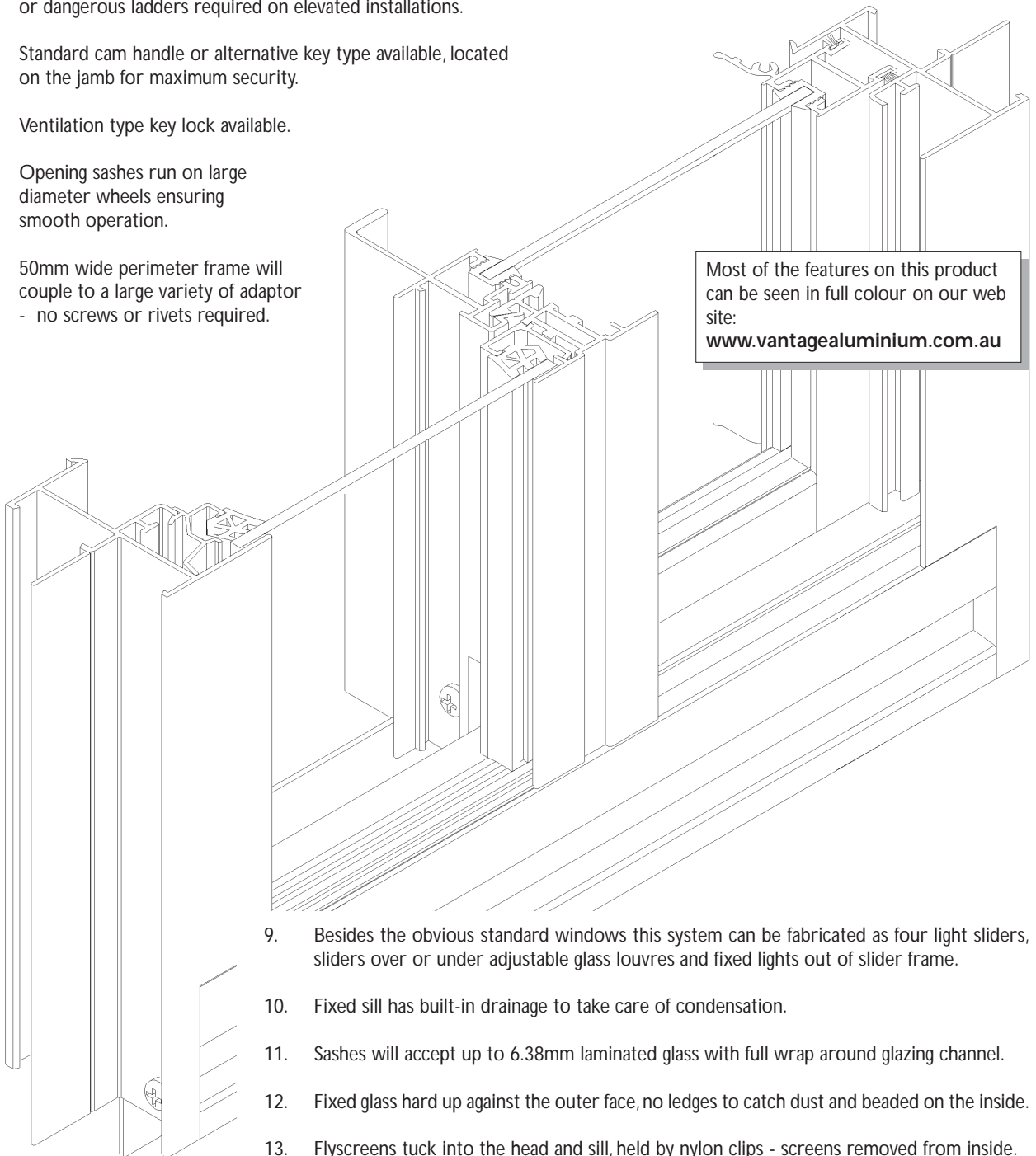
Series 501-503 Sliding Window

Introduction

Page: **11.1**
Date: Aug 03
Replaces:
Scale: Not to scale

Design Features

1. Successfully tested for compliance with Australian Standard AS 2047.
2. Optional meeting stile strengths cover a large variety of design wind load areas.
3. Fixed mullion nests into the horizontal frame sections.
- tight joint with no ugly rivets through the front face.
4. Fixed lights can be reglazed from inside the building - no expensive scaffolding or dangerous ladders required on elevated installations.
5. Standard cam handle or alternative key type available, located on the jamb for maximum security.
6. Ventilation type key lock available.
7. Opening sashes run on large diameter wheels ensuring smooth operation.
8. 50mm wide perimeter frame will couple to a large variety of adaptor
- no screws or rivets required.



9. Besides the obvious standard windows this system can be fabricated as four light sliders, sliders over or under adjustable glass louvres and fixed lights out of slider frame.
10. Fixed sill has built-in drainage to take care of condensation.
11. Sashes will accept up to 6.38mm laminated glass with full wrap around glazing channel.
12. Fixed glass hard up against the outer face, no ledges to catch dust and beaded on the inside.
13. Flyscreens tuck into the head and sill, held by nylon clips - screens removed from inside.
14. It is possible to re-hand the sliding window after installation - change type 'SF' to 'FS'.

Page: 11.2
Date: Aug 03
Replaces:
Scale:

Architectural Information

Series 501-503 Sliding Window

Check List



Not all sliding windows are the same. Sure they cover a hole in the wall - but if you want your windows to perform, keep the elements on the outside where they belong and operate smoothly for years to come there are some things you should check/compare when choosing your supplier.

Features

Vantage 503 Opposition

Does the window comply with the relevant Australian Standards. <ul style="list-style-type: none">All windows should comply but it pays to ask for written proof.	Yes
Coastal installations should be upgraded to 200 Pa (high) water rating.	Yes
Fixed lights and opening sashes can be reglazed from inside the building. <ul style="list-style-type: none">Reglazing an externally glazed window requires expensive scaffolding on elevated or first floor situations.Not a problem for the window manufacturer but could be very expensive for the home owner later on.	Yes
Condensation on fixed lowlights can be drained back to the outside. <ul style="list-style-type: none">In colder areas glass can condensate and produce pools of water on the sill members, if this moisture can't be drained back to the outside staining may occur on timber linings.	Yes
Fixed lights can be beaded off with matching extruded aluminium glazing beads.	Yes
Direction of slide can be changed without removing the window from building. <ul style="list-style-type: none">If the home owner should change their mind on the direction of slide after the windows are installed it's possible to easily re-hand the window without removing it from the building.	Yes
Large diameter (14mm) wheels in height adjustable wheel carriage. <ul style="list-style-type: none">Large diameter wheels turn more easily and therefore will last longer.If a wheel stop turning it will usually wear very quickly and the bearing shaft can quickly start damaging the running rail - if running rails get damaged they are expensive to repair.	Yes
Very heavy sashes can be fitted with nylon tyred ball bearing wheels if necessary.	Yes
No ugly visible rivets fixing the centre mullions. <ul style="list-style-type: none">The durability of the paint on rivets is no where as good as that on your windows.	No
Height adjustable cam handles are located on the jamb.	Yes
Optional key lock cam handle available. <ul style="list-style-type: none">We can fit a key lock cam when we fabricate your windows or you can easily fit them later.	Yes
Optional Ventilation key lock available. <ul style="list-style-type: none">This custom lock has no negative impact on the water resistance of the window.No unsightly visible holes.	Yes
Clean flyscreen installation. <ul style="list-style-type: none">Flyscreens are hard up against the outer face of the window - no spider recesses.Flyscreens held in place with non rusting nylon clips and screens can be removed from inside.	Yes
Removable barrier type flyscreens (fitted with expanded aluminium security mesh). <ul style="list-style-type: none">No spider recesses on the outside and no recesses on the inside.Can be removed from the inside by the home owner to allow future cleaning etc.	Yes
Window can be coupled to sliding doors or other windows without visible rivets.	Yes
Rounded corner on the frame and sash members where ever possible. <ul style="list-style-type: none">Modern paint finishes don't like sharp corners.	Yes

These are what we see as the most important points to be checked - Compare us with the others.

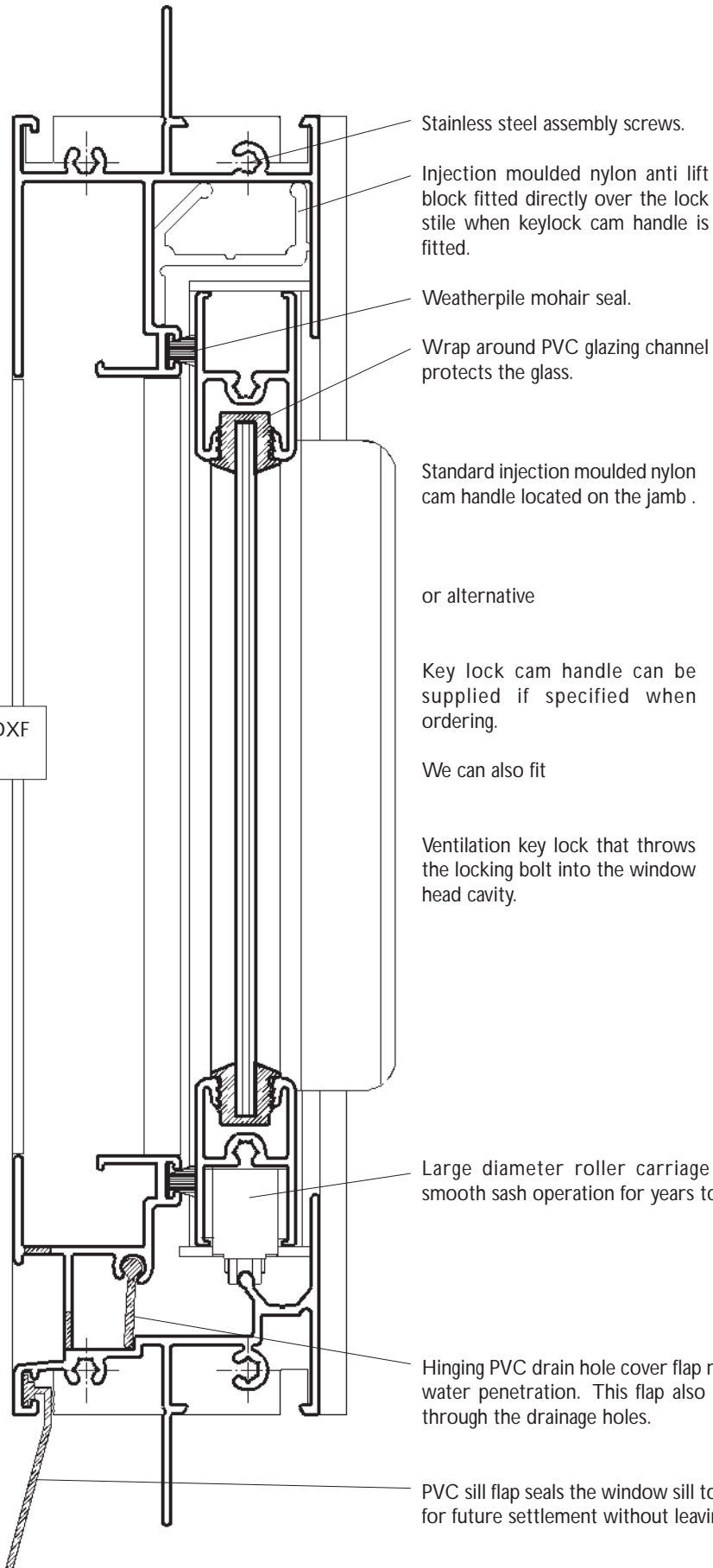
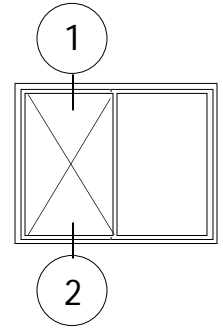


Architectural Information

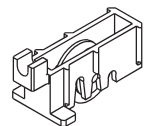
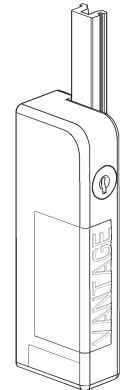
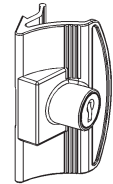
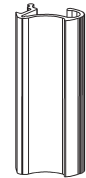
Series 501-503 Sliding Window

Vertical Section through Opening Sash

Page: **11.3**
 Date: Oct 04
 Replaces: Aug 03
 Scale: Full size



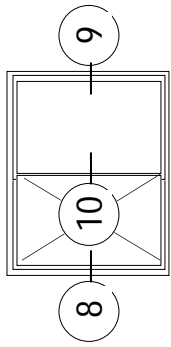
CAD file: DWG or DXF
VAN_503



Architectural Information

Series 501-503 Sliding Window

Horizontal Section through 'SF' Window



Full interlock at meeting stile makes sure that the weatherpile seal maintains contact with the fixed mullion.

Fixed sidelights can be reglazed from the inside. This can be very important on elevated installations as externally glazed windows would require expensive scaffolding.

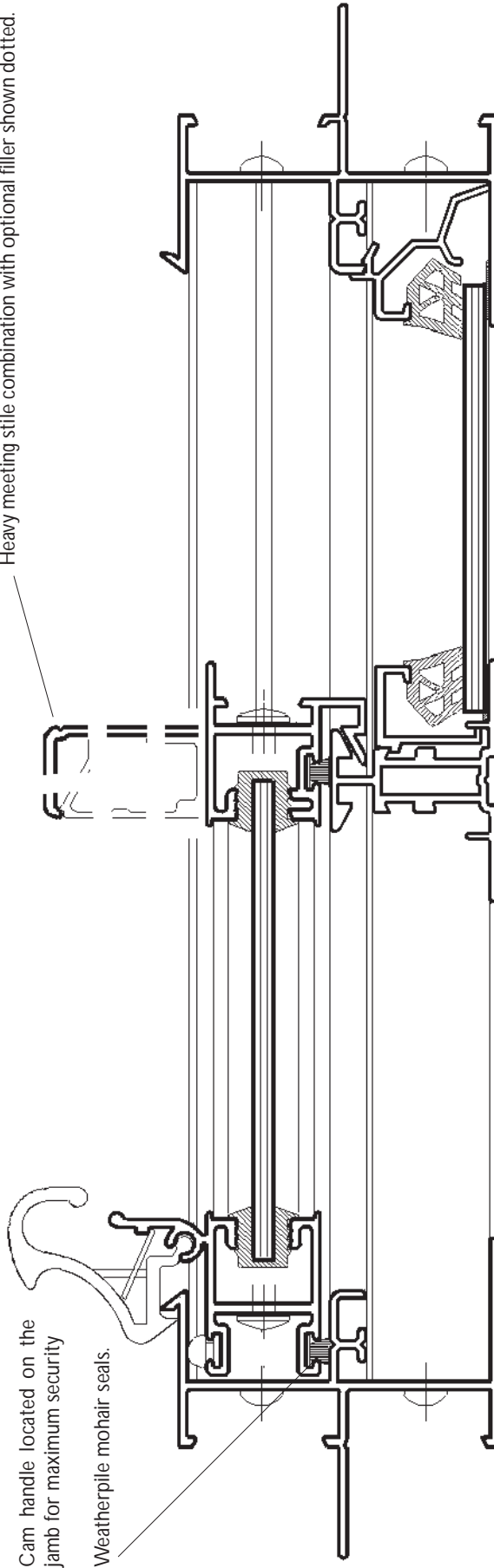
The centre fixed mullion is symmetric and makes it possible to re-hand the sliding window on site without dismantling the framing.

Centre fixed mullion is located securely in the head and sill

Heavy meeting stile combination with optional filler shown dotted.

Window		Meeting Stiles	
Height mm	Width mm	S	U
1200	1310	1500	2359
1200	1510	1404	2107
1200	1810	1246	1869
1300	1310	1309	1964
1300	1510	1162	1742
1300	1810	1018	1526
1500	1310	951	1426
1500	1510	836	1254
1500	1810	720	1080

Table 11.1 Wind Ratings (Pa) Heavy meeting stiles.
S = Serviceability limit state (deflection = L/150).
U = Ultimate strength limit state (factored yield strength = 104 MPa).
 These tables have been calculated using nominal section properties.
 A typical assembly has been tested as per the requirements of AS2047, Ultimate strength rating has been limited to 4500 Pa.
 1500 Serviceability ratings were restricted by the maximum water resistance (200Pa) achieved on this product.
 Blank Denotes rating under 500 Pa.



Cam handle located on the jamb for maximum security

Weatherpile mohair seals.

9

10L

CAD file: DWG or DXF
 VAN_503

8

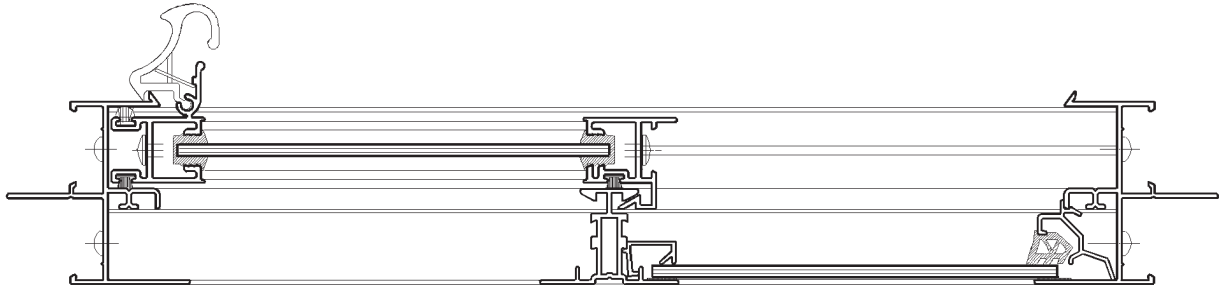


Architectural Information

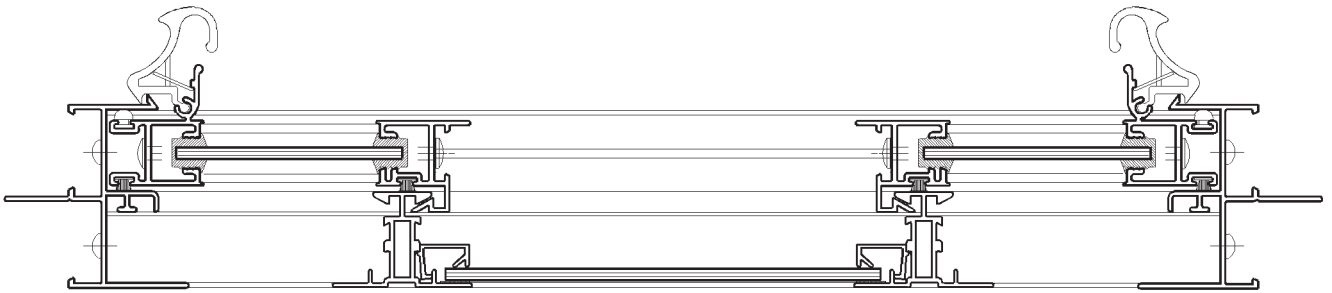
Series 501-503 Sliding Window

Horizontal Section through Sliding Windows

Page: **11.5**
Date: Aug 03
Replaces:
Scale: Half full size

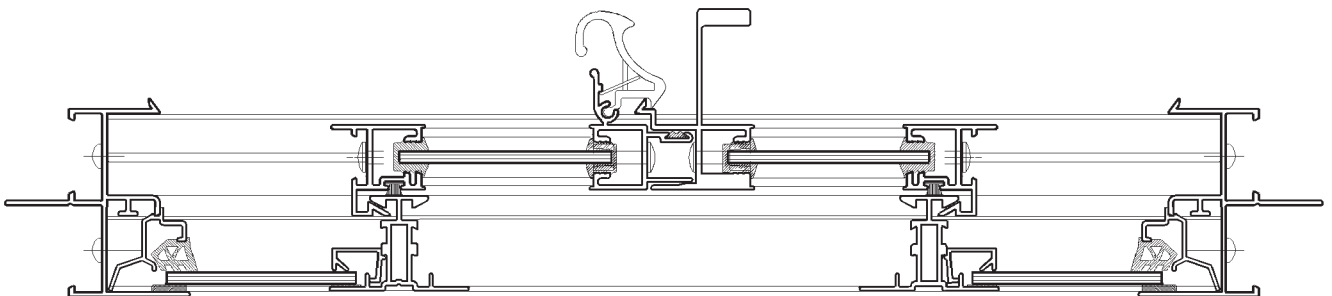


type 'SF'



type 'SFS'

Four lite sliding windows have a customised pair of meeting stiles to ensure maximum weather performance.



type 'FSSF'

Page: 11.6
Date: Oct 04
Replaces: Aug 03
Scale: Not to scale

Architectural Information

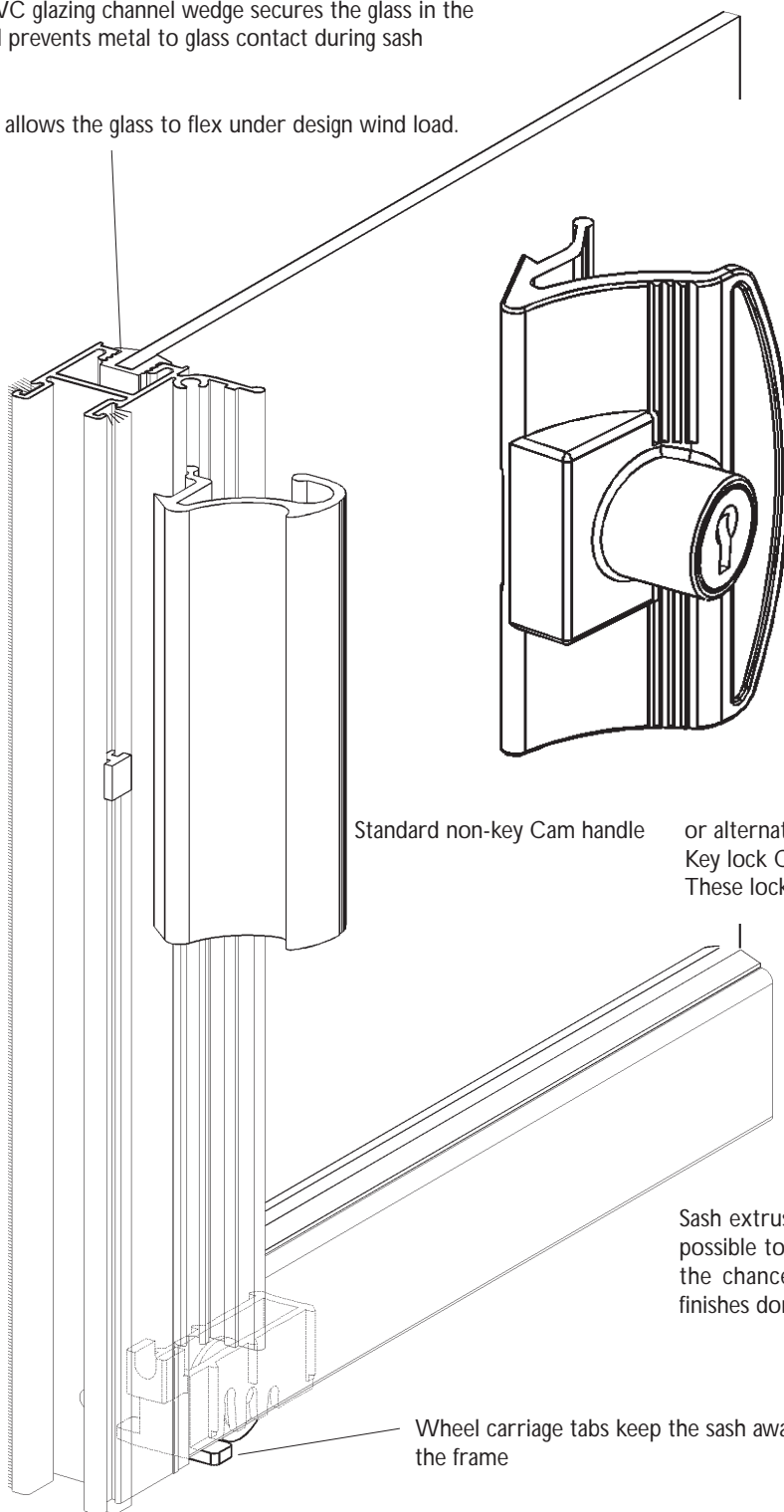
Series 501-503 Sliding Window

Opening Sash Lock Options



Wrap around PVC glazing channel wedge secures the glass in the moving sash and prevents metal to glass contact during sash operation.

This wedge also allows the glass to flex under design wind load.



Standard non-key Cam handle or alternative Key lock Cam handles. These locks can also be supplied in colours.

Sash extrusions have been rounded wherever possible to soften the appearance and reduce the chance of paint damage. Modern paint finishes don't like sharp corners.

Wheel carriage tabs keep the sash away from the frame

Large diameter wheels equal smooth sash operation.



Architectural Information

Series 501-503 Sliding Window

Optional Centre Ventilation Keylock

Page: 11.7
Date: Aug 03
Replaces:
Scale: Not to scale

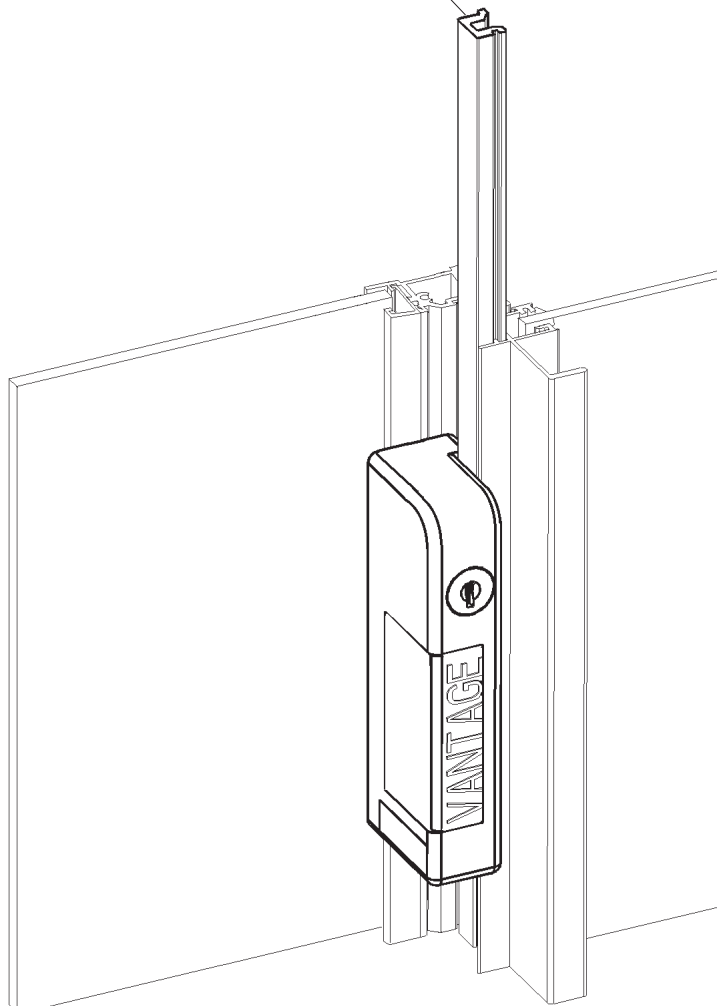
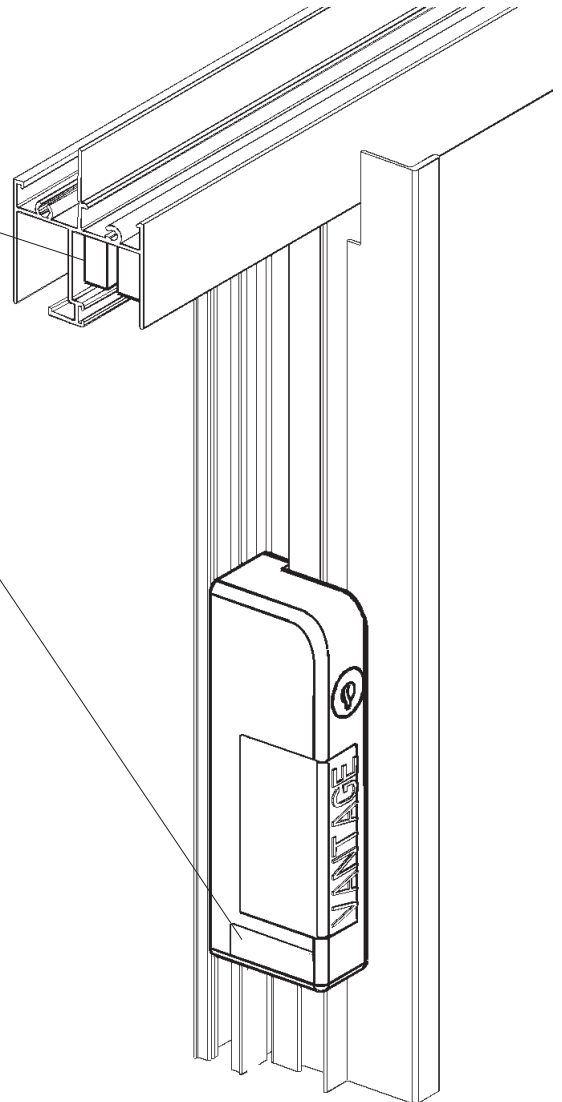
This custom ventilation keylock has been designed to lock the opening sash in the closed or partly open positions (50mm and 100mm) to allow ventilation. You would still use a plain latch on the jamb stile.

The lock shaft throws into heavy duty nylon block located in the window head channel.

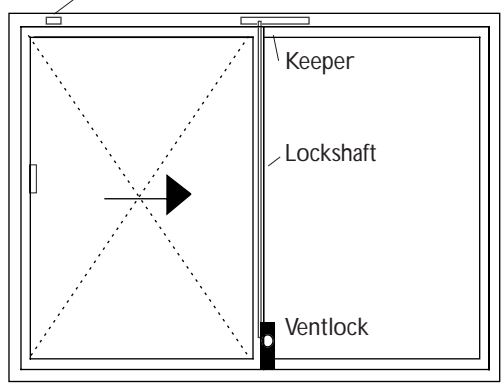
This prevents the sash from being lifted and or manipulated out of the locked position.

Slide the lock body down to sash assembly screw then secure the body with screw supplied. Fit nylon cover plate after fitting screw.

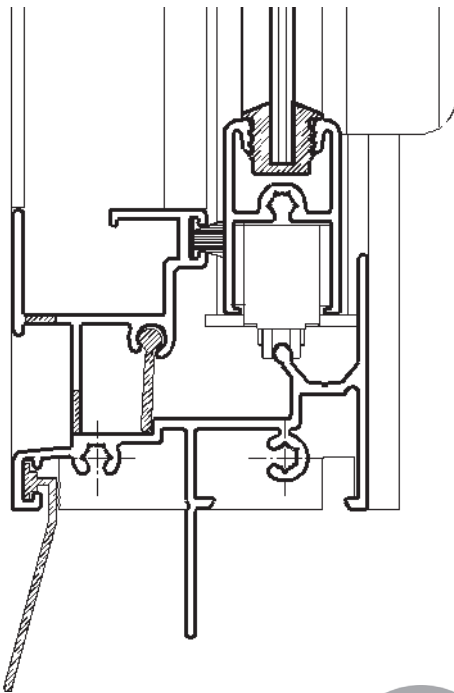
The heavy duty aluminium lock shaft is built into the window stile and coloured to match.



Snap in anti lift block fitted into the head extrusion approximately 100mm into the open area. This clip-in block is to prevent sash manipulation when in the open and locked positions.



Important Note:
This Ventilation keylock has no impact on the water resistance of the window.



Standard
150Pa Water rated slider sill

Fitted with weatherpile mohair seal.

200Pa Water rated slider sill

Fit co-extruded PVC dog leg fin seal to sill as detailed in lieu of the standard weatherpile mohair seal and the water rating will improve from 150Pa to 200Pa resistance.

Sound Reduction

We have tested a number of glass combinations in this sliding window. Window was fitted with 'Qlon' seals vertically and weatherpile horizontally.

- 3mm Annealed glass 22dB(A) RW22
- 6.38mm Laminated glass 31dB(A) RW32
- 7.52mm Laminated glass 32dB(A) RW31

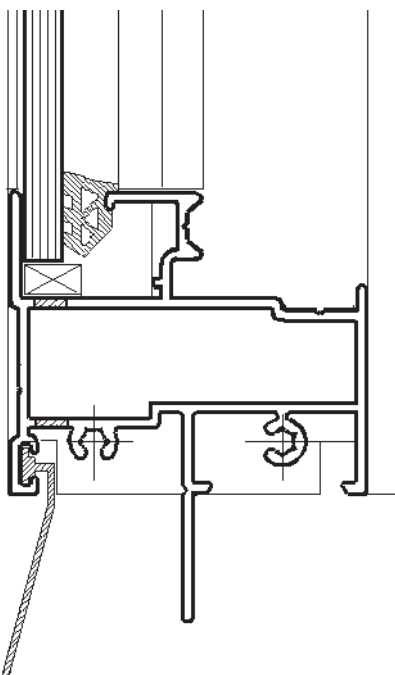
Secondary glazed sliding window will give significantly higher numbers
 42dB(A) RW41

Go to the SoundOUT section 55 for other options.



Thermal Transmission WERS

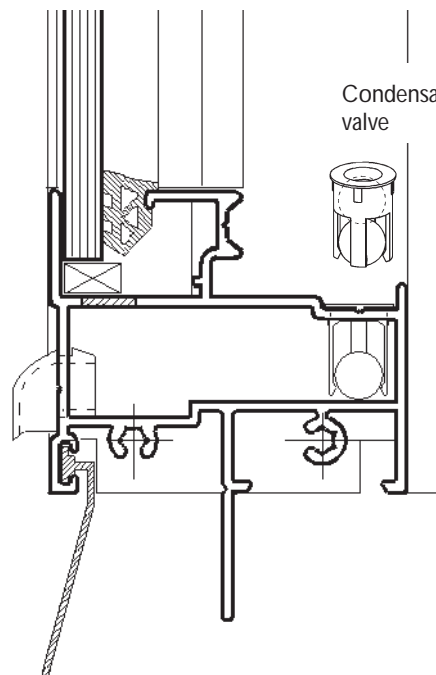
This window has been WERS rated. The star ratings for heating and cooling climates with various glass options can be found in the WERS section 04.



200Pa Water rated fixed sill

Standard fixed sill drains condensation back to the outside via anti blow back drainage flap.

Nylon drainage hood



Condensation ball valve

300Pa Water rated fixed sill

Fitted with proprietary condensation ball valve that allows moisture to be drained back to the outside, (Australian Registered Design).



Architectural Information

Series 501-503 Sliding Window

Index

Page: **11.0**
Date: Aug 03
Replaces:
Scale:

Page	Contents
11. 1	Introduction.
11. 2	Check list.
11. 3	Full size vertical section through opening sash.
11. 4	Full size horizontal section through 'SF' sliding window.
11. 5	Horizontal section through sliding windows.
11. 6	Opening sash lock options.
11. 7	Optional centre ventilation keylock.
11. 8	Sill water resistance treatment.

Series 503 Sliding window internal view
(Not to scale)

