



ANDO™, ICON™ & MIRO HARDWARE



## ANDO™, ICON & MIRO HARDWARE

Hardware is one of the defining features of windows and doors. The form and function of handles and latches provide a tactile experience that can considerably enhance the appearance and usability of your windows and doors. Unity of design and consistency of performance shape the look and feel of the Ando™, Icon & Miro ranges of window and door hardware. Achieving a family likeness within each range was a priority, hence the visual theme - smooth, sleek lines for Ando™, square contemporary styling for Icon; and elegant curves for Miro.

## CONTENTS

ANDO™ WINDOW & DOOR HARDWARE	2
ANDO™ Twin Point Sliding Door Lock	4
ANDO™ Slimline Sliding Door Lock	6
ANDO™ Single Point Sliding Door Lock	8
ANDO™ Bi-Fold Operator	10
ANDO™ Lever Handle	12
ICON™ WINDOW & DOOR HARDWARE	14
ICON™ Casement Latch	16
ICON™ Sliding Door Flush Pull	18
ICON™ Sliding Door Handle	20
ICON™ Bi-Fold Operator	22
ICON™ Lever Handle	24
MIRO WINDOW & DOOR HARDWARE	26
MIRO Casement Latch	28
MIRO Bi-Fold Operator	30
MIRO Sliding Door Handle	32
MIRO Lever Handle	34
ICON™ & MIRO Accessories & Options	36
One Key Solution	38
Hardware Care & Maintenance	40
Hardware Compatibility	42

A close-up, black and white photograph of a window handle mechanism. The handle is white and has a curved, ergonomic shape. It is mounted on a window frame, and the internal mechanical parts, including a spindle and a lock cylinder, are visible. The lighting is dramatic, highlighting the contours of the handle and the metallic components.

## ANDO™ WINDOW AND DOOR HARDWARE

## ANDO™ HARDWARE

Developed to compliment the modern design and clean lines of the Designer Series, the ANDO™ range brings a fresh and sleek look to residential windows and doors. Available across the range of window and door applications and in a wide variety of finishes, ANDO™ hardware offers a family appearance providing consistency throughout your project.



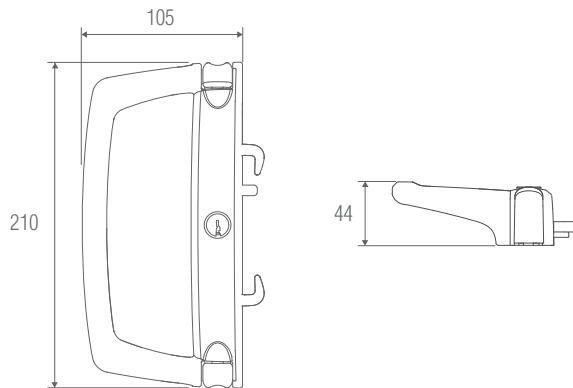
## ANDO™ Twin Point Sliding Door Lock



## ANDO™ Twin Point Sliding Door Lock



This powerful square form handle surface mounts to the door. The handle incorporates a twin actuated locking mechanism with dual 316 grade stainless steel locking tongues.



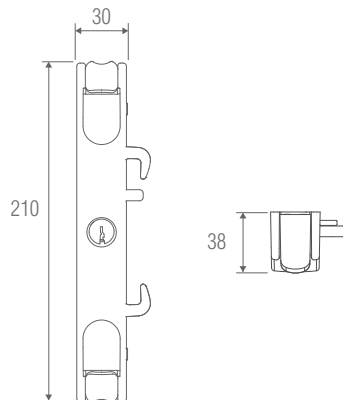
## ANDO™ Slimline Sliding Door Lock



## ANDO™ Slimline Sliding Door Lock



The ANDO™ slimline sliding door lock incorporates a twin actuated locking mechanism with dual 316 grade stainless steel locking tongues. There is no lever or D-pull to protrude over the glass, ensuring clean lines and a sleek appearance.



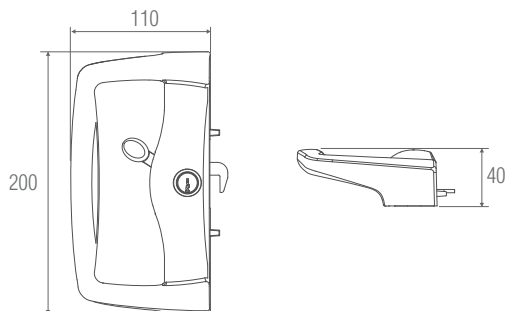
ANDO™ Single Point Sliding Door Lock



## ANDO™ Single Point Sliding Door Lock



Maintaining the form and style of the ANDO™ range this single point sliding door lock is ideal for residential applications. The handle surface mounts to the door and offers an integrated single point locking mechanism.



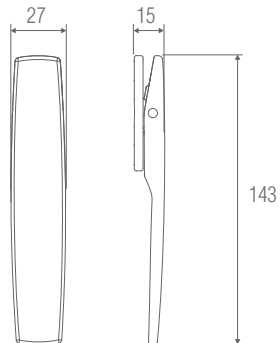
## ANDO™ Bi-Fold Operator



## ANDO™ Bi-Fold Operator



This swivel operator throws locking stainless steel bolts into the frame at top and bottom of the panel. Optional key-locking (separately installed) is available. Available in 316 grade stainless steel and painted finish.



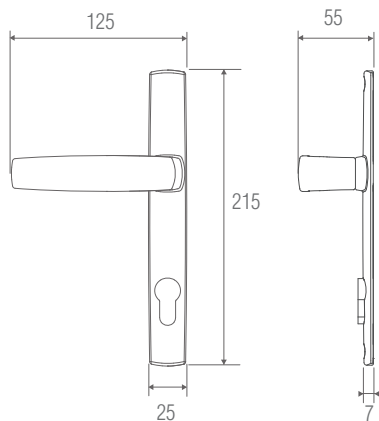
## ANDO™ Locking Lever Handle



## ANDO™ Locking Lever Handle



A clean compact lever handle with three point locking. Turning the key activates locking rods at top and bottom of the door. Available in 216 grade stainless steel and painted finish.




## ICON™ HARDWARE

The ICON™ hardware range is a fully integrated range of 316-grade stainless steel hardware for aluminium windows and doors.

The range offers superior weathering performance and outstanding durability making it suitable for all environments.

Developed for use with our high performance window systems, Icon incorporates a square-edge, rectilinear look which complements the lines of Designer Series windows and doors.



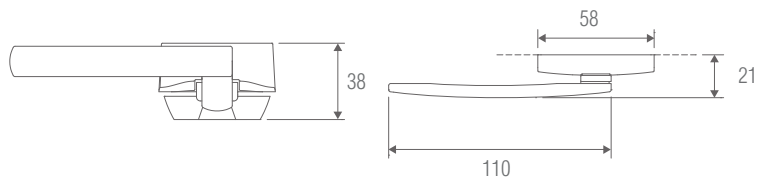


ICON™ WINDOW & DOOR HARDWARE

## ICON™ Casement Latch



The ICON™ Casement Latch is designed to suit residential awning and casement windows. Manufactured from 316-grade stainless steel this fastener incorporates square-edged and radiused styling in a bold aesthetic statement. A grey nylon wedge is incorporated.



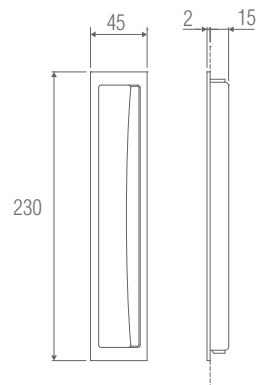
## ICON™ Casement Latch



## ICON™ Sliding Door Flush Pull



This is an alternative to a sliding door handle and offers a more understated look. Internal corners of the pull are rounded to soften the aesthetics. A mortice lock with hook bolt is fixed separately and is activated by key or interior turn knob in a rectangular base. Available in 316 grade stainless steel only.



**icon**

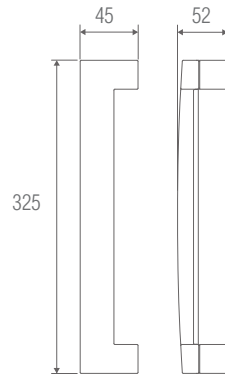


ICON™ Sliding Door Flush Pull

## ICON™ Sliding Door Handle



This powerful square-form handle offers a firm, comfortable grip and is ideal for larger sliding panels. It is fixed to the door on both the interior and exterior. A mortice lock with hook bolt is fixed separately and is activated by key or interior turn knob in a rectangular base plate. Available in 316 grade stainless steel only.



**icon**

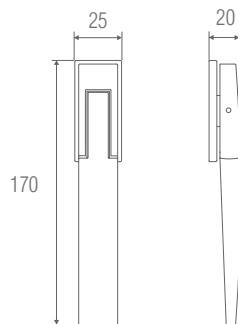
A close-up, high-angle photograph of a sliding door handle assembly. The handle is a sleek, modern, rectangular piece with a brushed metal finish, mounted on a matching track. The track is a long, narrow, rectangular channel with a polished interior surface. The background is dark, making the metallic components stand out. The lighting creates soft highlights and shadows, emphasizing the three-dimensional form of the handle and the depth of the track.

ICON™ Sliding Door Handle

## ICON™ Bi-Fold Operator



This swivel operator throws locking stainless steel bolts into the frame at top and bottom of the door or window panel. The square corners of the handle are combined with radiused top and bottom surfaces to soften the aesthetics. Optional key-locking (separately installed) is available. Available in 316 grade stainless steel only.



**icon**

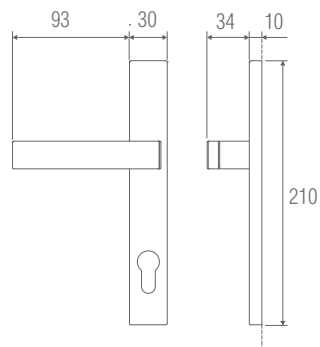
A close-up, black and white photograph of a metal bi-fold operator component. The component is a rectangular metal piece with a complex, interlocking design. It features a central slot and a small protrusion on the right side. The background is a blurred, light-colored surface, possibly a metal plate or door, with a dark diagonal line running across it. The lighting is dramatic, highlighting the metallic texture and the sharp edges of the component.

ICON™ Bi-Fold Operator

## ICON™ Lever Handle



A clean, compact lever handle with four point locking as standard. The grip has a gently radiused front face and a curved back for a comfortable hand hold. Used in conjunction with lever compression locking a lifting movement of the handle activates locking rods at the top and bottom of the door. Available in 316 grade stainless steel only.



**icon**

A close-up photograph of a modern, silver-colored lever handle. The handle is made of a polished metal and has a sleek, rectangular design. It is mounted on a vertical metal plate. On the lower part of the plate, there is a keyhole and a small, oval-shaped logo that reads "INTERLUCKEN". The background is dark and out of focus, highlighting the handle's details.

ICON™ Lever Handle

## MIRO WINDOW & DOOR HARDWARE

A close-up, high-angle photograph of a silver-colored window handle and lock mechanism. The handle is a sleek, curved, cylindrical shape with a brushed metal finish. Below it, the lock mechanism is visible, featuring a keyhole and a small, circular detail. The background is dark and out of focus, emphasizing the metallic texture and form of the hardware.

## MIRO HARDWARE

The Miro range of window and door hardware is a blend of contemporary design and function. It offers a unified look from window to door.

The smooth, ergonomic Miro shapes offer good aesthetics as well as a comfortable hand grip. Secure and convenient locking features have been included.

Manufactured from die-cast zinc and are available in a range of contemporary powder coat finishes to match or contrast your aluminium joinery.



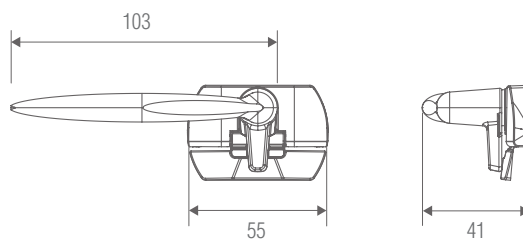
## MIRO Casement Latch



## MIRO Casement Latch



The Miro Casement Latch combines a sure hand grip with clean lines. The PVC closing wedge is matched to the handle colour. This handle is suitable for residential awning and casement window suites.



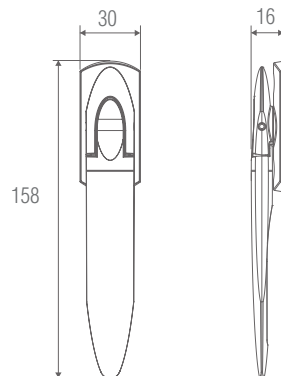
# MIRO Bi-Fold Operator



## MIRO Bi-Fold Operator



The Miro Bi-Fold operator activates locking rods in the top and bottom of the door or window panel, offering security, convenience and style. A key-locking version is also available.





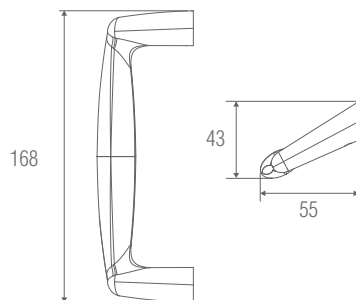
MIRO Sliding Door Handle

## MIRO Sliding Door Handle



The Miro sliding door 'D' handle is ideal for residential sliding door applications. This handle is typically used in conjunction with a separate key lock or a snib latch in high traffic areas.

The lock is separate from the handle and is operated by key or snib.



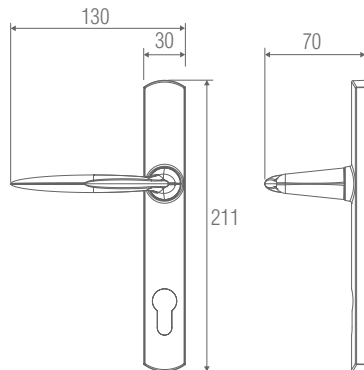
MIRO Lever Handle



## MIRO Lever Handle



With a sleek, comfortable grip common to all Miro hardware, the lever door lock is available in several locking options, including keyed both sides or with interior snib. Used in conjunction with lever compression locking, an upward handle movement activates four-point locking.



## Accessories & Options



**ICON™ Flat Escutcheon**  
This thin plate has a flush appearance and is used with the ICON™ flush pull. Also available for ICON™ bi-fold.



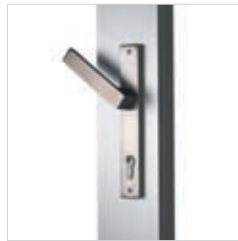
**ICON™ Raised Escutcheon**  
Has a height of 11mm and is used with the Icon sliding door handle. Used as standard with ICON™ bi-fold deadlock.



**ICON™ Security Turn**  
ICON™-styled turn that fits into key cylinders and is removable, allowing deadlocking.



**MIRO Security Turn**  
Miro-styled turn that fits into key cylinders and is removable, allowing deadlocking.



**Multi-Point Locking**  
MIRO and ICON lever locks offer maximum door security and sealing with four points of locking. An upward hand movement throws locking bolts at top and bottom of door. Bolts and latches in the jamb are deadlocked with the turn of a key or snib. Once key or snib unlocked, downward handle movement retracts bolts and opens door.

ICON™ & MIRO Accessories & Options



## One Key Solution

Residential project security can be complex, reducing the number of key combinations for a project can simplify this and improve operability for end users.

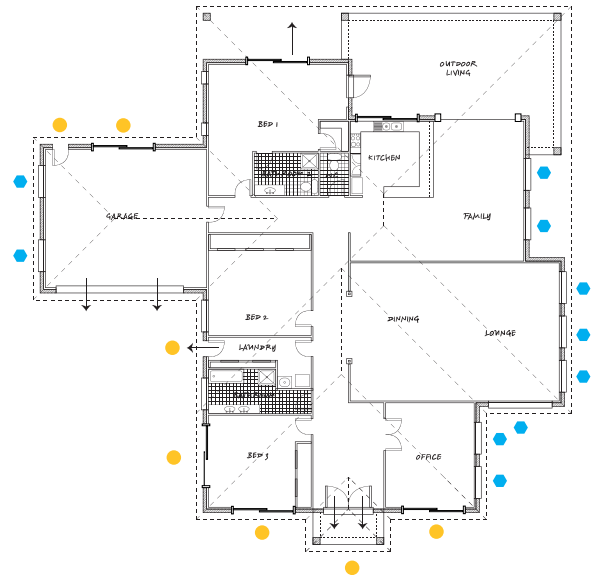
The Vantage range of window and door hardware is designed to ease the complexity of home security. A range of keying options are available.

Depending upon the products and hardware specified it is possible to achieve a single key solution for your project.

In almost all instances Vantage window locks can be keyed alike, as can Vantage door locks - offering one key to operate all Vantage windows within your project and one key to operate all Vantage doors. This simplified approach brings security and peace of mind to end users.



Key all windows alike and all doors alike to simplify security and operation



One Key Solution

## Hardware Care & Maintenance

### CARING FOR STAINLESS STEEL HARDWARE

Stainless steels are generally low in maintenance, although some is required to maximise corrosion resistance and removal of surface contamination. Proper care and maintenance will ensure your ICON™ or ANDO™ Stainless steel hardware achieves maximum corrosion resistance and maintains its lustre and appearance indefinitely.

One of the advantages of stainless steel hardware is that any “tea staining” or discolouration can be easily removed and generally the product will return to its ‘new’ state with appropriate cleaning.

- Most discolouration can be removed with a mildly abrasive cleaner (Ajax, Jif, Brasso etc.)
- Heavier corrosion can be removed using a Scotch-Brite™ pad or stainless steel scourer
- Do not use steel wool - this may leave residues of steel which will rust causing surface discolouration
- After cleaning, the product should be rinsed free of all cleaning product residue with clean water

Stainless steel may develop discolouration brought about by environmental and installation conditions. Environments with exposure to the following substances should be avoided:

- Chlorine based (bleach) products and cleaners
- Hydrochloric acid (commonly used for tile and concrete cleaning)
- Cement dust
- Soap concentrates
- Water with high iron content (generally bore water)

**NOTE:** Stainless steel is a living metal, so light surface discolouration is likely to occur in the first few weeks after installation as the metal stabilises with the environment. Do not be alarmed, this is quite normal but does require cleaning immediately to prevent permanent damage.

### CARING FOR POWDER COAT FINISHED HARDWARE

Hardware that is supplied with a powder coat finish and should be cleaned on a regular basis.

Atmospheric deposits, especially in coastal areas, can cause damage to the coating surface and should be cleaned every three months. In severe marine environments cleaning should ideally take place monthly, especially for exterior-mounted hardware such as door handles.

Cleaning should be undertaken with a dilute solution of a mild detergent in warm water. A soft brush or rag should be used. There should be no use of abrasive aids.

After cleaning, the coating should be wiped down with fresh water.

## Hardware Compatibility

ICON™, Ando™ and Miro hardware is compatible with most Vantage window and door systems, to simplify your selection process the table below indicates the compatibility of hardware with each of the Vantage window or door systems.

Please note: ICON™, Ando™ and Miro hardware is not compatible with the following: Series 501/503, Series 502/504 Series 514, Series 601/ 602 or Series 613

	Residential Series				Designer Series					Thermal HEART™			
	516	517	541	542	546	548	549	616	618	726	729	730	731
	Awning	Awning	Sliding	Sliding	Bi-fold	Bi-fold	Hinged	Awning	Sliding	Awning	Hinged	Bi-fold	Sliding
Ando™													
Single Point Sliding Door Lock			▲	▲					▲				
Twin Point Sliding Door Lock			▲	▲					▲				
Slimline Sliding Door Lock			▲	▲					▲				
Bi-fold Operator					▲	▲						▲	
Locking Lever Handle (2-point)						▲	▲				▲	▲	
Locking Lever Handle (4-point)						▲	▲				▲	▲	
Miro													
Sliding Door Handle (with ISEO lock)									▲				▲
Bi-fold Operator					▲	▲			▲			▲	
Lever Handle (2-point)						▲	▲				▲	▲	
Lever Handle (4-point)						▲	▲				▲	▲	
Lever Handle (with Lever compression lock)						▲	▲				▲	▲	
Casement Latch	▲	▲						▲		▲			
ICON™													
D pull with ISEO Lock									▲				▲
Recessed pull with ISEO Lock									▲				▲
Bi-fold Actuator					▲	▲						▲	
2 Point hinged door lock						▲	▲				▲	▲	
Multi-point (4) Hinged Door lock						▲	▲				▲	▲	
Lever compression hinged door lock						▲	▲				▲	▲	
Wedgeless Window Fastener / Cam Handle	▲	▲						▲		▲			

ANDO™, ICON™ & MIRO HARDWARE is available through Vantage and AWS Commercial manufacturers nationwide